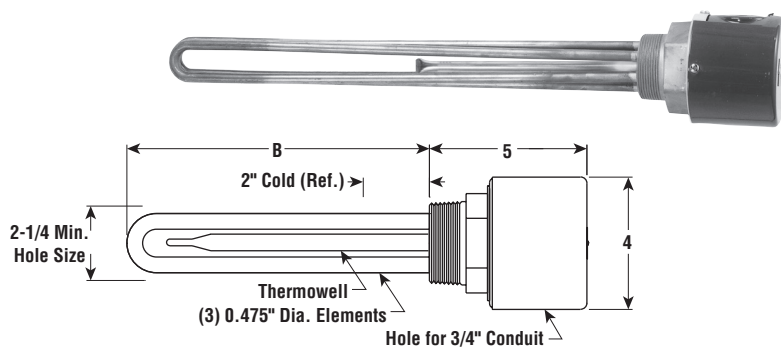


Immersion

EMT-3 Clean Water Applications

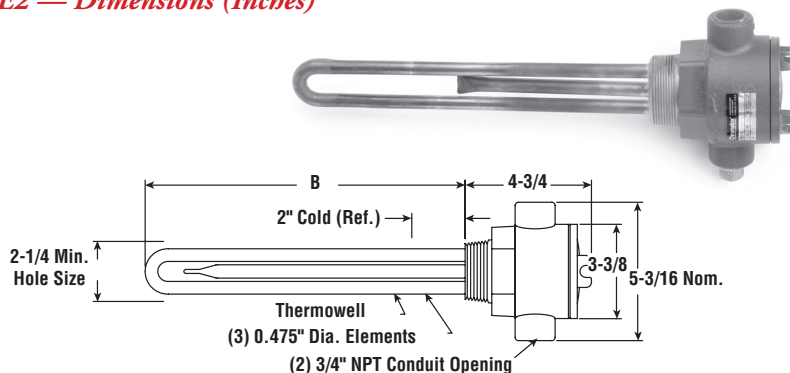
- 2" NPT Brass Screw Plug
- Copper Sheath Elements
- High Watt Density (61 - 67 W/in²)
- 3 - 12 kW
- Without Thermostat
- 240 and 480 Volt, Three Phase
- General Purpose, Moisture Resistant/Explosion Resistant Terminal Enclosure or Moisture Resistant

E1 — Dimensions (Inches)

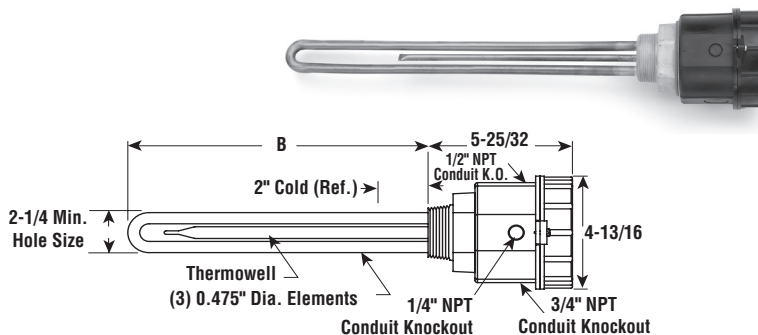


SCREW PLUG

E2 — Dimensions (Inches)



E4TP — Dimensions (Inches)



Specifications and Ordering Information

						E1 General Purpose ¹				E2 Moisture Resistant Explosion Resistant ²				E4 Moisture Resistant			
kW	Volts	Phase	W/in ²	No. Elem.	DIM B (In.)	Model	Stock	PCN	Wt. (Lbs.)	Model	Stock	PCN	Wt. (Lbs.)	Model	Stock	PCN	Wt. (Lbs.)
3	240	3	67	3	7	EMT-303	S	326220	5	EMT-303E2	NS	326300	8	EMT-303E4TP	NS	060679	5
3	480	3	67	3	7	EMT-303	S	326238	5	EMT-303E2	NS	326318	8	EMT-303E4TP	NS	060687	5
6	240	3	67	3	12	EMT-306	S	326246	6	EMT-306E2	NS	326326	9	EMT-306E4TP	NS	060695	6
6	480	3	67	3	12	EMT-306	S	326254	6	EMT-306E2	NS	326334	9	EMT-306E4TP	NS	060708	6
9	240	3	65	3	17-1/2	EMT-309	NS	326262	7	EMT-309E2	NS	326342	10	EMT-309E4TP	NS	060716	7
9	480	3	65	3	17-1/2	EMT-309	S	326270	7	EMT-309E2	NS	326350	10	EMT-309E4TP	NS	060724	7
12	240	3	61	3	24	EMT-312	S	326289	8	EMT-312E2	NS	326369	11	EMT-312E4TP	NS	060732	8
12	480	3	61	3	24	EMT-312	S	326297	8	EMT-312E2	NS	326377	11	EMT-312E4TP	NS	060740	8

Stock Status: S = stock NS = non-stock
To Order—Specify model, volts, phase, kW, PCN and quantity.



1. Heaters with General Purpose Enclosures are UL Listed and CSA Certified.
2. Heaters with Moisture Resistant/Explosion Resistant Enclosures are cCSA_{US}® Certified.a

Same-day shipping on stock item orders received before 4 pm CST.
3-day shipping on assembly-stock items.

"Under the U.S. Federal Safe Drinking Water Act, it is unlawful to install or use this product in any service that comes into contact with water for human consumption (including drinking, food or beverage preparation, hand washing, or teeth brushing). This product is intended exclusively for use in non-potable service."