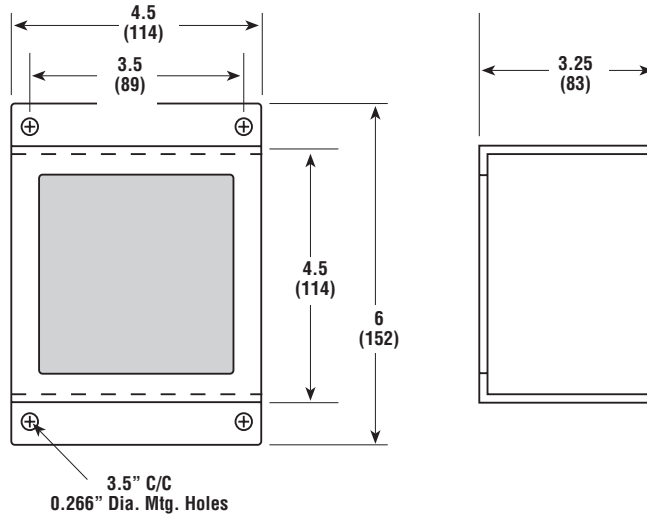
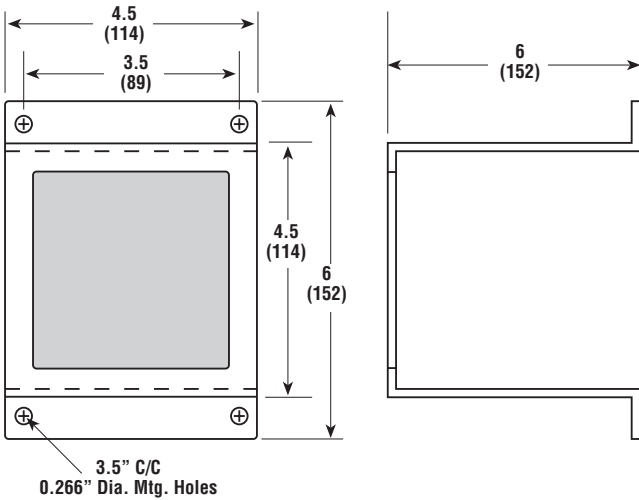


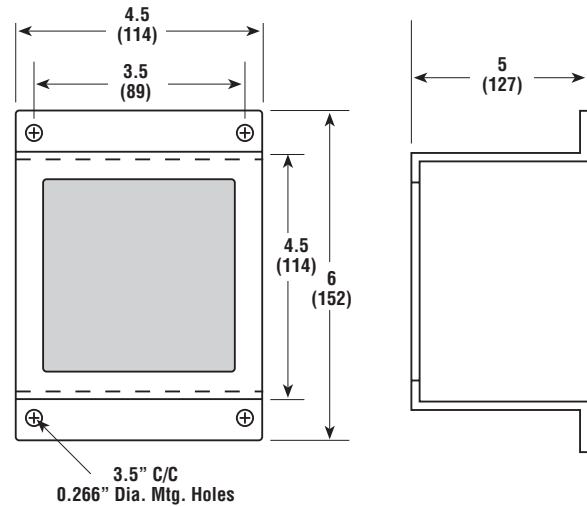
1/4 DIN Accessories 1/4 DIN Mounting Brackets



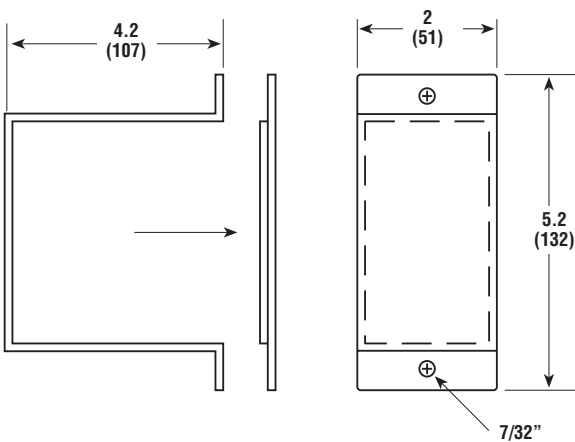
Surface Mounting
Part No. 0006-12081 PCN 309307



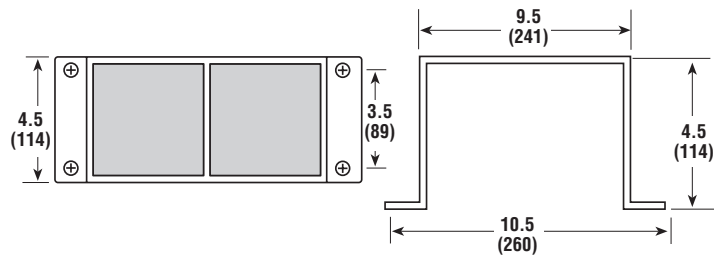
Surface Mounting
Part No. 0006-12072 PCN 309315



Surface Mounting
Part No. 0006-12151 PCN 317980



Side Mounting
1/4 DIN Instruments
Part No. 0006-12034 PCN 313904



Surface Mounting for 2 Controllers
Part No. 0006-12157 PCN 339098