

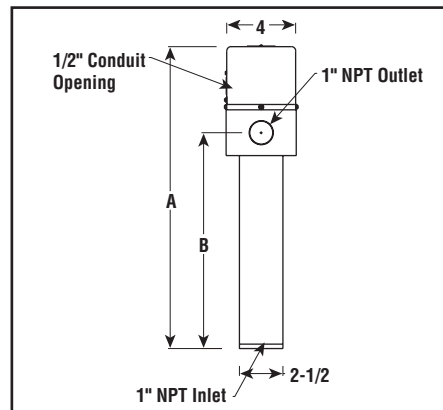
CVCHS

Booster Heater-Corrosion Solution Applications

- Non-metallic (CPVC) Pipe Body
- 1.5 - 3 kW
- 120 and 240V, Single Phase
- General Purpose Terminal Enclosure
- INCOLOY® Sheath Elements (75 W/In²)
- Integral Thermostat (60 - 190°F)
- Integral Automatic Cutout (Set at 195°F)



Dimensions (Inches)



Applications

Used to heat clean and corrosive solutions. Ideal for side-arm heating, in-line circulation and engine pre-heaters.

Unit is designed for a maximum operating pressure of 100 psi at 200°F

Features

Terminal Enclosure — E1 General Purpose is standard.

Elements — INCOLOY® sheath elements rated 75 W/In².

Flange — Stainless steel flange for corrosion resistance.

Vessel — CPVC pipe body material is resistant to many corrosive solutions and is ideal for water applications. Pipe body material provides good thermal insulation, reducing heat loss.

Thermostat — Integral thermostat with 60 to 200°F temperature range, located inside the terminal enclosure.

High Limit Control — Integral automatic cutout (overtemperature control) protects against fluid or element overheating (set to open at 195°F).

Vibration Resistant — Vibration resistant construction to withstand vibrations typically experienced on many types of operating equipment (i.e., engines).

Easy to Install — Minimal size and light weight, no supporting brackets are required.

Specifications and Ordering Information

kW	Volts	Ckt & Phase	DIM (In.)		Model	Stock	PCN	Wt. (Lbs.)
			A	B				
150 lb CPVC plastic pipe body — 1 INCOLOY® element (75 W/In²)								
1.5	120	1-1	17-5/16	12-3/8	CVCHS-01-01P5-E1	S	025021	3
1.5	240	1-1	17-5/16	12-3/8	CVCHS-01-01P5-E1	S	025030	3
2	120	1-1	17-5/16	12-3/8	CVCHS-01-002P-E1	S	025048	3
2	240	1-1	17-5/16	12-3/8	CVCHS-01-002P-E1	S	025056	3
2.5	120	1-1	21-5/16	16-3/8	CVCHS-01-02P5-E1	S	025064	4
2.5	240	1-1	21-5/16	16-3/8	CVCHS-01-02P5-E1	S	025072	4
3	120	1-1	21-5/16	16-3/8	CVCHS-01-003P-E1	S	025080	4
3	240	1-1	21-5/16	16-3/8	CVCHS-01-003P-E1	S	025099	4

Stock Status: S = stock NS = non-stock
To Order—Specify model, volts, phase, kW, PCN and quantity.

Ordering Information

To Order — Complete the Model Number using the Matrix provided.

Model	Corrosive Solution Booster Heater				
CVCHS	Corrosive Water Solution Circulation Heater				
	Code	Number of Elements			
	01	One			
		Code	kW		
		01P5	1.5	02P5	2.5
		002P	2	003P	3
		Code	Terminal Enclosure		
		E1	General Purpose		
CVCHS	01	01P5	E1	Typical Model Number	