

CTB Thin Blade Heater

- 0.275 x 1" Profile
- 120 and 240 Volt
- 1 & 3 Phase
- Stainless Steel Sheath
- 10 - 75 W/in²
- High Temperature (up to 1200°F Sheath Temperature)



Applications

- Immersion for deep fat fryers, degreasers, plating tanks, humidifiers, lube and fuel oil heaters, hydraulic oil heaters, water heaters.
- Clamp-on for griddles, tanks, platens, dies, molds, heat sealing.
- Process air duct heaters, dirty gas stream, high temperature gas.

Advantages

More Efficient Heat Transfer — The larger sheath area of the Thin Blade conveys heat more rapidly to medium being heated.

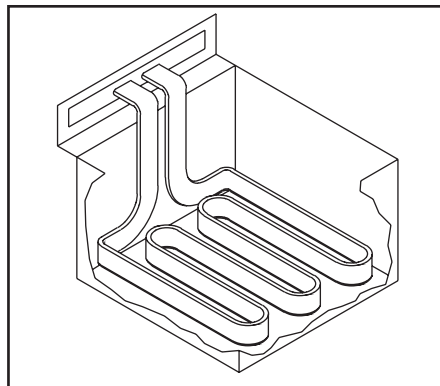
Long Life — Particularly well suited to deep fat frying. The oil suffers less degradation and lasts longer.

Features

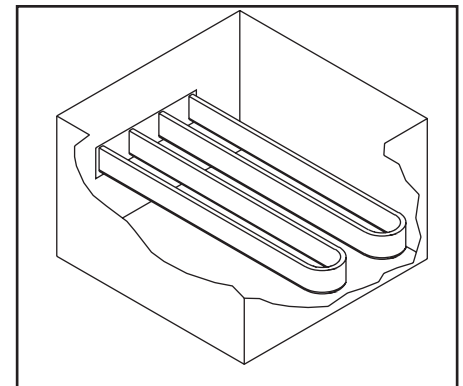
Adaptable to a wide range of applications now served by tubular elements with unique advantages.

Three Wire Construction — Provides a balanced 3-phase load. A wide array of heat settings using only a low-cost selector switch.

Side Mount



Bottom Mount



Construction

Thin Space Saving Profile — 1/4" by 1" minimizes possible interference with the process being heated. Unit can hug bottom or side of tank.

Completely Sealed Sheath permits complete immersion of heated length.

Unique Bending Properties make thin blade easy to apply to most difficult spatial limitations.

Minimum Bending potential is 1" radius on the major axis and 1/2" radius on the minor axis.

Greater Mechanical Strength — Makes the elongated cross-section more rigid than the tube.

Specifications and Ordering Information

Dimensions (In.)		Watts	W/in ²	PCN		Model	Stock	Wt. (Lbs.)
Sheath Length	Heated Length			120V	240V			
30	27	1,300	20	329287	329439	CTBS-30130	NS	3.75
30	27	650	10	329295	329447	CTBS-3065	NS	3.75
36	33	1,600	20	329308	329455	CTBS-36160	NS	4.5
36	33	800	10	329316	329463	CTBS-3680	NS	4.5
42	39	1,900	20	329324	329471	CTBS-42190	NS	6
42	39	950	10	329332	329480	CTBS-4295	NS	6
48	45	2,200	20	329340	329498	CTBS-48220	NS	6.75
48	45	1,100	10	329359	329500	CTBS-48110	NS	6.75

Stock Status: S = stock NS = non-stock

To Order—Specify model, PCN, watts, volts and quantity.