

CS-ASM

Outdoor Aerial Snow Sensor with Modbus/BACnet



- Electronic Snow and Ice Sensor
- Energy Efficient Algorithm
- 24VAC Operated
- Mounts on CS-MB Metal Rustfree Mounting Bracket or Vertical Pole
- 4 Vertical Spikes to Prevent Birds Nesting
- Plastic Cap for Summer Time – Protect from Dust and Dirt
- 4 Wires Installation – 30 ft. Cable Supplied with the Sensor
- Simple User Interface for Parameters Set from Controller
- Adjustable RH Sensitivity from Controller
- Technician Testing/ Commissioning Mode for Easy and Fast System Test all Year Long (even during summer or at high temp)
- RoHS

Description

The CS-ASM is a stylish, smart and reliable Snow and Ice sensor. Installed outdoors it measures the temperature and detects snow, sending the information via the Modbus to the CIP.

The CS-ASM is connected to the Snow Melting Controller with a 30 feet (10 m.), 24V 4 wire cable and communicating with the controller, providing the temperature value and the snow detection based on the adjustable parameters.

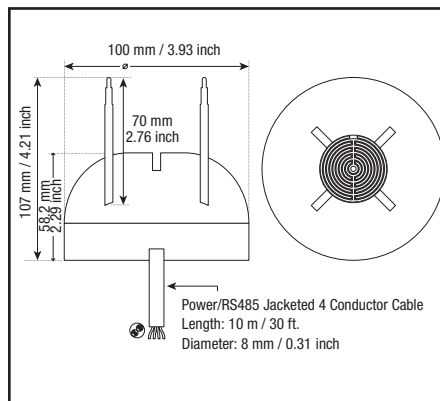
The plastic "igloo" shape design helps to assure reliable Snow/Ice detection as it prevents from the snow to accumulate around the sensing area. The 4 holes around the sensors were designed to hold the Anti Nesting spikes, keeping birds away from the sensor.

The sensor cap helps to keep the sensing area clean from dust and dirt during summer time and when the snow melting system is not used.

The measured temperature and the snow detection are visible on the controller display.

Each snow sensors must have different MAC (Media Access Control) address in order to communicate with the main board.

Dimensions



Specifications and Ordering Information

Model Number	PCN	Stock
CS-ASM Outdoor Snow Sensor	514950	S
CS-MB Wall Mounted Adjustable Bracket	512559	S

Optional Wall Mounting Bracket

