

Chroma-RG-OD Commercial De-Icing Controller

- Automatic Control for Roof and Gutter De-icing
- NEMA 4X Outdoor Rated to -40°F
- 30mA Fixed, Integral Ground Fault Circuit Breaker
- Adjustable Temperature Set-point 45°F to -7°F
- User Friendly Interface
- Multiple Sensors Input – Up to 4 Temperature/Moisture Sensors
- Output Relay 30A @ 120/208/240 VAC
- Integrated Ground Fault Sensor
- Adjustable Hold-On Time Delay Range: 0-99 Hours
- Three Modes of Operation
 - Automatic
 - Manual (ON/OFF)
 - Commissioning
- Technician/Commissioning Mode for Easy and Fast System Testing year Round
- cULus Rated
- ETL Certification (US & Canada)
- RoHS Compliant



Intertek



Description

The Chroma-RG series of controls is a "Plug and Play" controller for roof and gutter applications. When the snow sensor senses a temperature below the set-point and moisture is present, it activates the contactor energizing the heating elements.

The Technician mode allows installers or technicians to adjust the parameters for customized installations using the electronic controller installed in the front panel. The adjustable Hold-On timer, keeps the outputs to the heaters active to ensure complete freeze protection.

The Hold-On (Time delay) is adjustable in the from 0 to 99 hours. The Chroma-RG Built-in Ground Fault interrupter allows manual reset from the front panel. Three LEDs visible through the transparent plastic cover provides information about the status of the system.

Chroma-RG Models

- Chroma-RG1-OD – Power box with 1 contactor (30A) & 120V output to heaters
- Chroma-RG2-OD – Power box with 1 contactor (30A) & 208/240V output to heaters

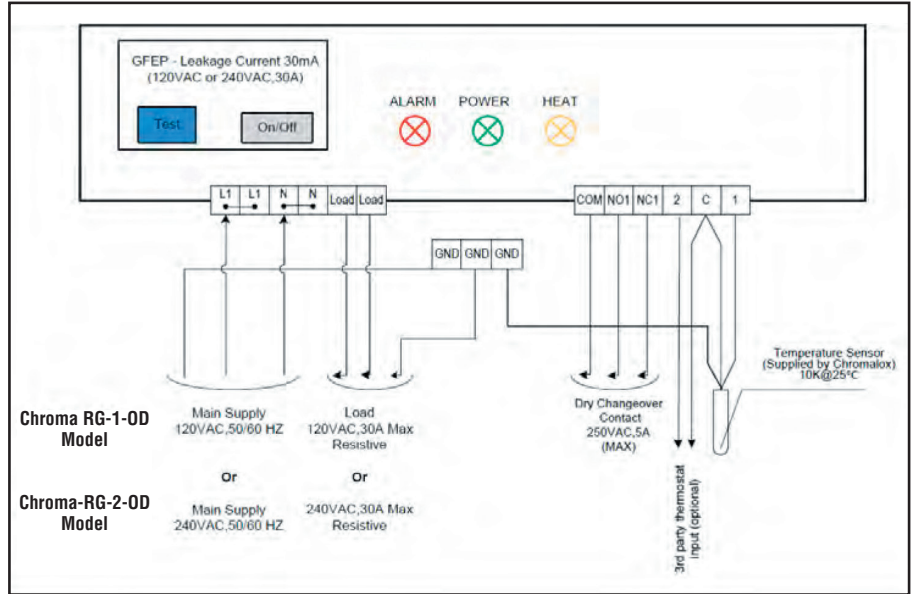
*High temperature limit sensor (CS-HL) included with either unit.

Specifications

Outdoor Ambient Operating Temperature.....	-40°F to 122°F (-40° C to 50°C)
Power Switching.....	30A EMR
Number of Circuits	1
Input Voltage.....	120VAC, 208-240VAC
Heater Voltage.....	120VAC, 208-240VAC
Communications.....	Dry Contact Alarm Relay (NO/NC)
Adjustable Parameters	Set-Point, Upper and Lower Limit Temperature, Hold-On/OFF Delay, Manual On time, Commissioning/Test Mod
Enclosure Rating.....	NEMA 4X/IP67

COMMERCIAL HEAT TRACE

Chroma-RG-OD Commercial De-Icing Controller (cont'd.)



Front View

Dimensions

Model	Units	H	W	D
Chroma-RG1-OD	Inch	12	8	5
	cm	300	200	130
Chroma-RG2-OD	Inch	12	8	5
	cm	300	200	130



Side View

Order Information

Model	Description	Max. Total Amperage	Max. Voltage	PCN
Chroma-RG1-OD	De-Icing Controller, 1 Contactors (1-2P @30A), 120V	30A	120V	515098
Chroma-RG2-OD	De-Icing Controller, 1 Contactors (1-2P @30A), 208/240V	30A	240V	515100