

## BLCK-MH & BLCS Deep Tank Blade Heaters

- BLCK-MH — Circular Blades
- BLCS — Straight Blades
- Steel Sheath Elements
- Low Watt Density (12 and 18 W/in<sup>2</sup>)
- 7.5 - 24 kW
- 240 and 480 Volt, 1 & 3 Phase
- Moisture Resistant Terminal Enclosure
- 12 Ft. Riser (Other Lengths Available)

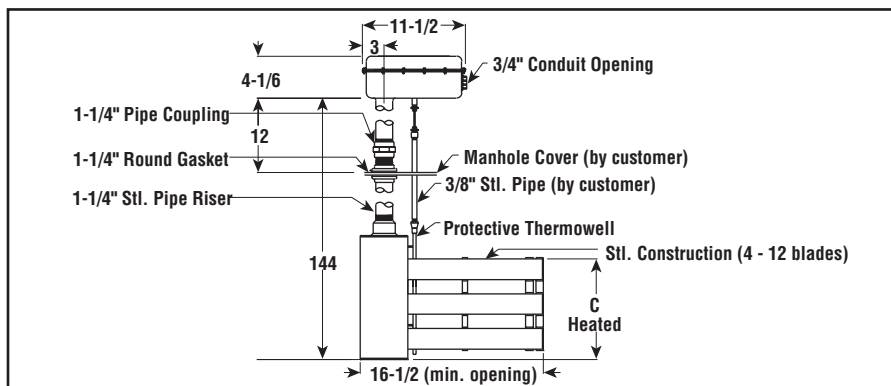
### Features (BLCK-MH)

- Moisture Resistant Terminal Enclosure
- Integral DPST Thermostat 60 - 250°F rated 30 Amp at 120 - 277 Volt with 180" capillary length
- 4 - 12 Circular Heating Elements permit entry into tanks with 16-1/2" diameter minimum opening
- Split Riser adapts to customer's manhole cover
  - 6" threaded ends on each riser end
  - Two 1-1/4" threaded Malleable Iron Floor Flanges
  - Threaded Malleable Iron Union
  - Thermostat Packing Gland Fittings
- Manhole Cover, 3/8" Thermostat Protective Well and 3/8" Threaded Couplings (by customer)
- For manhole construction, recommend compression fittings shown on page H-189. CCF-25D or 25E.

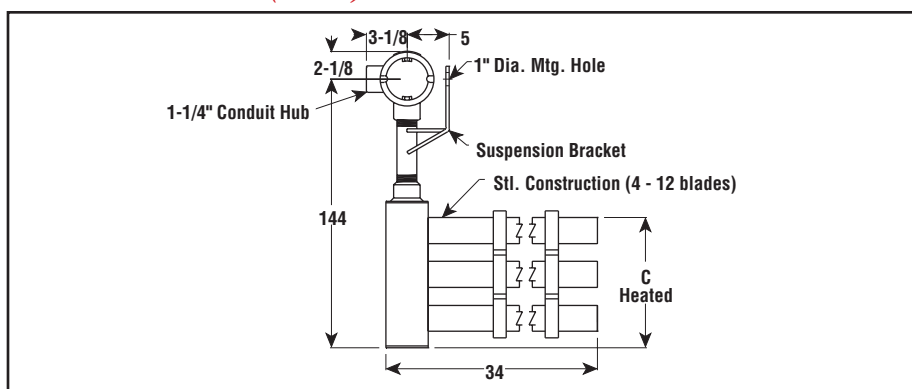
### Features (BLCS)

- Moisture Resistant Terminal Enclosure
- 4 - 12 Straight Heating Elements requires manhole access that will accept 34" blade length

**BLCK-MH — Dimensions (Inches)**



**BLCS — Dimensions (Inches)**



### Specifications and Ordering Information

kW	Volts	Phase	DIM C (In.)	Circular Blades		Straight Blades		Stock	Wt. (Lbs.)
				Model	PCN	Model	PCN		
<b>Regular Oil — 18 W/in<sup>2</sup></b>									
12	240	1	8-7/8	BLCK-MH618	192903	BLCS-618	193068	NS	42
12	240	3	8-7/8	BLCK-MH618	192911	BLCS-618	193076	NS	42
12	480	1	8-7/8	BLCK-MH618	192920	BLCS-618	193084	NS	42
12	480	3	8-7/8	BLCK-MH618	192938	BLCS-618	193092	NS	42
16	240	1	12	BLCK-MH824	192946	BLCS-824	193105	NS	55
16	240	3	12	BLCK-MH824	192954	BLCS-824	193113	NS	55
16	480	1	12	BLCK-MH824	192962	BLCS-824	193121	NS	55
16	480	3	12	BLCK-MH824	192970	BLCS-824	193130	NS	55
20	240	3	15-1/8	BLCK-MH1030	192989	BLCS-1030	193148	NS	75
20	480	1	15-1/8	BLCK-MH1030	192997	BLCS-1030	193156	NS	75
20	480	3	15-1/8	BLCK-MH1030	193009	BLCS-1030	193164	NS	75
24	240	3	18-1/4	BLCK-MH1236	193017	BLCS-1236	193172	NS	90
24	480	1	18-1/4	BLCK-MH1236	193025	BLCS-1236	193180	NS	90
24	480	3	18-1/4	BLCK-MH1236	193033	BLCS-1236	193199	NS	90
<b>Fuel Oil — 12 W/in<sup>2</sup></b>									
7.5	240	1	8-7/8	BLCK-MH618	258925	BLCS-618	259100	NS	42
7.5	240	3	8-7/8	BLCK-MH618	258933	BLCS-618	259119	NS	42
7.5	480	1	8-7/8	BLCK-MH618	258941	BLCS-618	259127	NS	42
7.5	480	3	8-7/8	BLCK-MH618	258950	BLCS-618	259135	NS	42
10	240	1	12	BLCK-MH824	258968	BLCS-824	259143	NS	55
10	240	3	12	BLCK-MH824	258976	BLCS-824	259151	NS	55
10	480	1	12	BLCK-MH824	258984	BLCS-824	259160	NS	55
10	480	3	12	BLCK-MH824	258992	BLCS-824	259178	NS	55
12.5	240	1	15-1/8	BLCK-MH1030	259004	BLCS-1030	259186	NS	75
12.5	240	3	15-1/8	BLCK-MH1030	097404	BLCS-1030	259194	NS	75
12.5	480	1	15-1/8	BLCK-MH1030	259020	BLCS-1030	259207	NS	75
12.5	480	3	15-1/8	BLCK-MH1030	259039	BLCS-1030	259215	NS	75
15	240	1	18-1/4	BLCK-MH1236	259047	BLCS-1236	259223	NS	90
15	240	3	18-1/4	BLCK-MH1236	259055	BLCS-1236	259231	NS	90
15	480	1	18-1/4	BLCK-MH1236	259063	BLCS-1236	259240	NS	90
15	480	3	18-1/4	BLCK-MH1236	259071	BLCS-1236	259258	NS	90

**Stock Status:** S = stock NS = non-stock  
**To Order**—Specify model, PCN, kW, volts, phase and quantity.