

BCT Indicating Temperature Controller

- 0 - 650°F
- 15 Amp Resistive
- 125, 250, 480 Vac
- General Purpose or Explosion Proof Enclosure
- Dual °F and °C Indication Scale
- Bulb & Capillary
- Single or Dual Switches



BCT-800



BCT-820E



Applications

- Temperature control of any heated or cooled solid, liquid or gas.
- BCT-800 for NEMA I General Purpose Enclosure Applications.
- BCT-820E for NEMA 4, 7 or 9 Explosion-Proof Enclosure Applications.

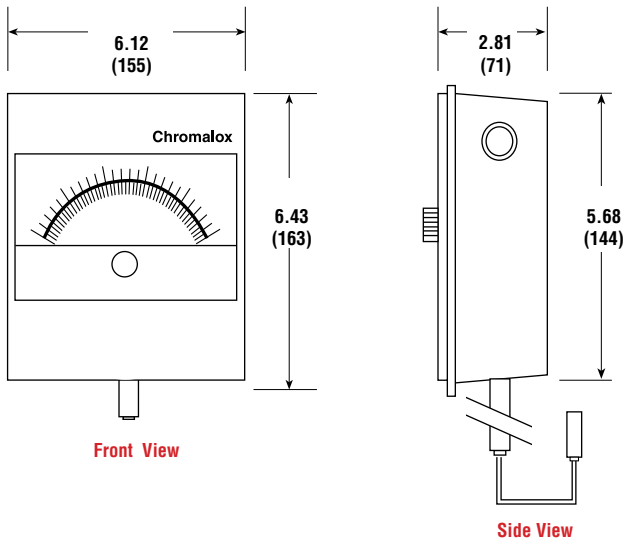
WARNING: Hazard of Fire. These devices function as temperature controls only. Because they do not fail-safe, an approved temperature and/or pressure safety control must be used for safe operation.

Features

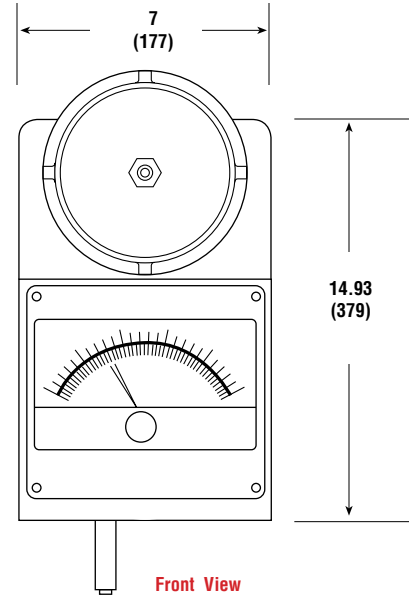
- Sturdy die-cast case. Can be surface or flush-mounted in a panel.
- Snap-action switches, 3-wire single pole, double throw (SPDT). Dual switches have separate knob and temperature pointers for each switch. Inner knob sets #1, outer knob #2 switch.
- For use in ambient temperatures between -40 and 160°F.
- BCT-820E-Meets Class I, Division 1 & 2, Groups B, C & D Class II, Division 1 & 2, Groups E, F & G

BCT Indicating Temperature Controller (cont'd.)

Dimensions BCT-800



BCT-820E



Ordering Information

w/All Dimensions in Inches (mm)
See table below for Bulb Dimensions

Dual Temp. Range (°F)	Bulb Dia. (In.)	Lgth. (In.)	Bib & Cap. Mtl.	Cap. Lgth. (Ft.)	General Purpose Enclosure (NEMA 1)				Explosion Proof Enclosure (NEMA 4, 7, 9)			
					Model	Stock	PCN	Wt. (Lbs.)	Model	Stock	PCN	Wt. (Lbs.)
-40 to +120	3/8	6-1/2	SST	6	BCT-800-4BS	NS	227010	4	BCT-820E-4BS	NS	227168	9
-40 to +120	3/8	6-1/2	SST	6	BCT-802-4BS	NS	227088	4	BCT-822E-4BS	NS	227248	9
0-250	3/8	4-5/16	SST	6	BCT-800-6BS	NS	227037	4	BCT-820E-6BS	NS	227184	9
0-250	3/8	4-5/16	SST	6	BCT-802-6BS	NS	227109	4	BCT-822E-6BS	NS	227264	9
0-250	3/8	4-5/16	§	10	BCT-800-6BS-TEF	NS	310463	4	BCT-820E-6BS-TEF	NS	227221	9
0-250	3/8	4-5/16	§	10	BCT-802-6BS-TEF	NS	227141	4	BCT-822E-6BS-TEF	NS	227301	9
0-400	3/8	2-7/8	SST	6	BCT-800-7BS	NS	227045	4	BCT-820E-7BS	NS	227192	9
0-400	3/8	2-7/8	SST	6	BCT-802-7BS	NS	227117	4	BCT-822E-7BS	NS	227272	9
50-650	3/8	3	SST	6	BCT-800-8BS	NS	227053	4	BCT-820E-8BS	NS	227205	9
50-650	3/8	3	SST	6	BCT-802-8BS	NS	227125	4	BCT-822E-8BS	NS	227280	9
50-100	3/8	4-5/16	SST	6	BCT-800-9BS	NS	227061	4	BCT-820E-9BS	NS	227213	9
50-100	3/8	4-5/16	SST	6	BCT-802-9BS	NS	227133	4	BCT-822E-9BS	NS	227299	9

Stock Status: S = stock NS = non-stock

1. Dual switch models.

Other Note —

A. §Teflon® sleeved stainless steel.

ELECTROMECHANICAL
& THERMOSTATS