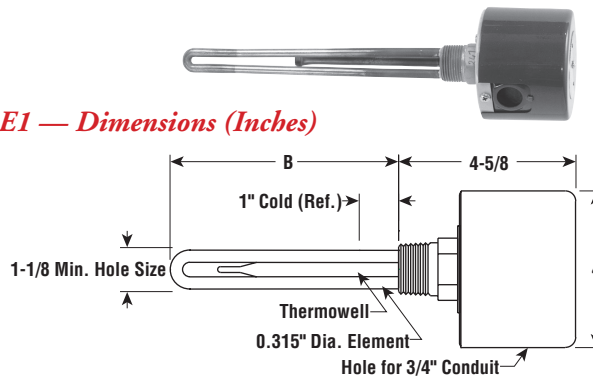


# Immersion

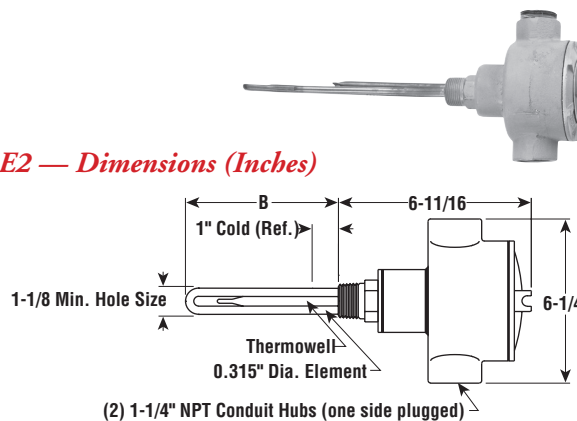
## ARTM Clean Water Applications

- 1" NPT Brass Screw Plug
- Copper Sheath Element
- High Watt Density (64 - 86 W/in<sup>2</sup>)
- 0.75 - 3 kW
- Integral Thermostat (SPST)
- 120 and 240 Volt, Single Phase
- General Purpose or Moisture Resistant/Explosion Resistant Terminal Enclosure

*E1 — Dimensions (Inches)*



*E2 — Dimensions (Inches)*



SCREW PLUG

### Specifications and Ordering Information

							T4 — Temperature (60 - 187°F)			T5 — Temperature (60 - 240°F)			T8 — Temperature (0 - 127°F)		
kW	Volts	Phase	W/in <sup>2</sup>	No. Elem.	DIM B (In.)	Wt. (Lbs.)	Model	Stock	PCN	Model	Stock	PCN	Model	Stock	PCN
<b>E1 General Purpose<sup>1</sup></b>															
0.75	120	1	64	1	6-5/16	2	ARTM-750T4	S	191257	ARTM-750T5	NS	186087	ARTM-750T8	NS	186095
0.75	240	1	64	1	6-5/16	2	ARTM-750T4	S	191265	ARTM-750T5	NS	186108	ARTM-750T8	NS	186116
1	120	1	85	1	6-5/16	2	ARTM-1000T4	S	191273	ARTM-1000T5	S	186124	ARTM-1000T8	S	186132
1	240	1	85	1	6-5/16	2	ARTM-1000T4	S	191281	ARTM-1000T5	S	186140	ARTM-1000T8	NS	186159
1.25	120	1	83	1	8-1/16	3	ARTM-1250T4	S	191290	ARTM-1250T5	NS	186167	ARTM-1250T8	NS	186175
1.25	240	1	83	1	8-1/16	3	ARTM-1250T4	S	191302	ARTM-1250T5	NS	186183	ARTM-1250T8	NS	186191
1.5	120	1	86	1	9-1/4	3	ARTM-1500T4	S	191310	ARTM-1500T5	S	186204	ARTM-1500T8	NS	186212
1.5	240	1	86	1	9-1/4	3	ARTM-1500T4	S	191329	ARTM-1500T5	NS	186220	ARTM-1500T8	NS	186239
2	120	1	83	1	12-1/4	3	ARTM-2000T4	S	191337	ARTM-2000T5	NS	186247	ARTM-2000T8	NS	186255
2	240	1	83	1	12-1/4	3	ARTM-2000T4	S	191345	ARTM-2000T5	NS	186263	ARTM-2000T8	NS	186271
2.5	120	1	79	1	16-1/4	3	ARTM-2500T4	S	191353	ARTM-2500T5	NS	186280	ARTM-2500T8	NS	186298
2.5	240	1	79	1	16-1/4	3	ARTM-2500T4	S	191361	ARTM-2500T5	NS	186300	ARTM-2500T8	NS	186319
3	240	1	78	1	19-7/8	3	ARTM-3000T4	S	191388	ARTM-3000T5	NS	186327	ARTM-3000T8	NS	186335
<b>E2 Moisture Resistant/Explosion Resistant<sup>2</sup></b>															
0.75	120	1	64	1	6-5/16	5	ARTM-750E2T4	S	182684	ARTM-750E2T5	NS	319724	ARTM-750E2T8	NS	319732
0.75	240	1	64	1	6-5/16	5	ARTM-750E2T4	NS	182692	ARTM-750E2T5	NS	319740	ARTM-750E2T8	NS	319759
1	120	1	85	1	6-5/16	5	ARTM-1000E2T4	S	182705	ARTM-1000E2T5	NS	319767	ARTM-1000E2T8	NS	319775
1	240	1	85	1	6-5/16	5	ARTM-1000E2T4	NS	182713	ARTM-1000E2T5	NS	319783	ARTM-1000E2T8	NS	319791
1.25	120	1	83	1	8-1/16	6	ARTM-1250E2T4	NS	182721	ARTM-1250E2T5	NS	319804	ARTM-1250E2T8	NS	319812
1.25	240	1	83	1	8-1/16	6	ARTM-1250E2T4	NS	182730	ARTM-1250E2T5	NS	319820	ARTM-1250E2T8	NS	319839
1.5	120	1	86	1	9-1/4	6	ARTM-1500E2T4	S	182748	ARTM-1500E2T5	NS	319847	ARTM-1500E2T8	NS	319855
1.5	240	1	86	1	9-1/4	6	ARTM-1500E2T4	NS	182756	ARTM-1500E2T5	NS	319863	ARTM-1500E2T8	NS	319871
2	120	1	83	1	12-1/4	6	ARTM-2000E2T4	NS	182764	ARTM-2000E2T5	NS	319880	ARTM-2000E2T8	NS	319898
2	240	1	83	1	12-1/4	6	ARTM-2000E2T4	NS	182772	ARTM-2000E2T5	NS	319900	ARTM-2000E2T8	NS	319919
2.5	120	1	79	1	16-1/4	6	ARTM-2500E2T4	NS	182780	ARTM-2500E2T5	NS	319927	ARTM-2500E2T8	NS	319935
2.5	240	1	79	1	16-1/4	6	ARTM-2500E2T4	NS	182799	ARTM-2500E2T5	NS	319943	ARTM-2500E2T8	NS	319951
3	240	1	78	1	19-7/8	6	ARTM-3000E2T4	S	182801	ARTM-3000E2T5	NS	319960	ARTM-3000E2T8	NS	319978

**Stock Status:** S = stock NS = non-stock  
**To Order**—Specify model, volts, phase, kW, PCN and quantity.

1. Heaters with General Purpose Enclosures are UL Listed and CSA Certified.
2. Heaters with Moisture Resistant/Explosion Resistant Enclosures are cCSA<sub>US</sub>® Certified.

**FASTShip**

Same-day shipping on stock item orders received before 4 pm CST.  
 3-day shipping on assembly-stock items.

"Under the U.S. Federal Safe Drinking Water Act, it is unlawful to install or use this product in any service that comes into contact with water for human consumption (including drinking, food or beverage preparation, hand washing, or teeth brushing). This product is intended exclusively for use in non-potable service."