

AR-LT & AR-EP

Non-Indicating Temperature Controllers

- AR-LT Weather Resistant Enclosure
- AR-EP Explosion-Proof Enclosure
- Bulb & Capillary
- Sensitive, Long-Lasting, Snap Action Mechanism

AR-LT



AR-EP



Features

- Double pole, single throw contacts that open on temperature rise. At positive off position, contacts cannot close.
- Differential $\pm 4\%$ of scale.
- Bulb and capillary: copper for units rated at 250°F and lower; nickel-plated copper for units between 200 and 500°F; tin-plated steel for units between 300 and 700°F.

WARNING: Hazard of Fire. These controls function as temperature controls only. Because they do not fail safe, an approved temperature and/or pressure safety control must be used for safe operation.

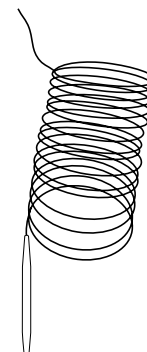
Bulb Style 4 and 5

- For confined locations
- For insertion into drilled holes in platens or dies
- For direct immersion



Bulb Style 9

- For control air and pipeline heating
- May be coiled to inside radii of 1/2", minimum
- Compression fittings and protective wells available

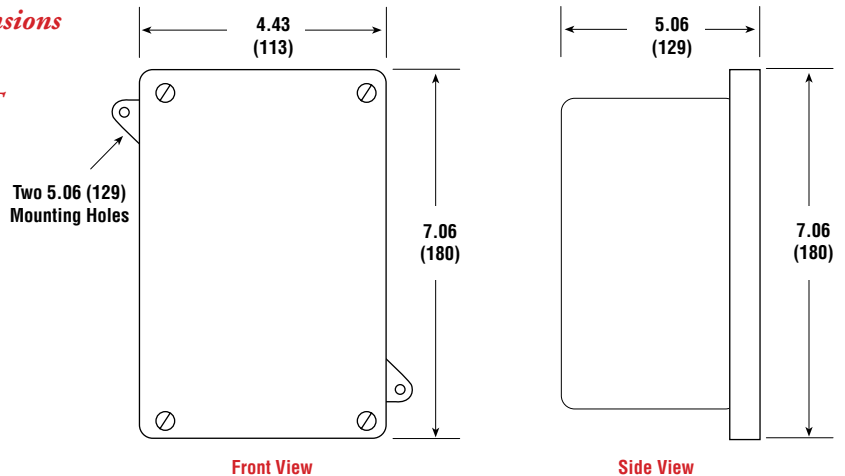


Controls

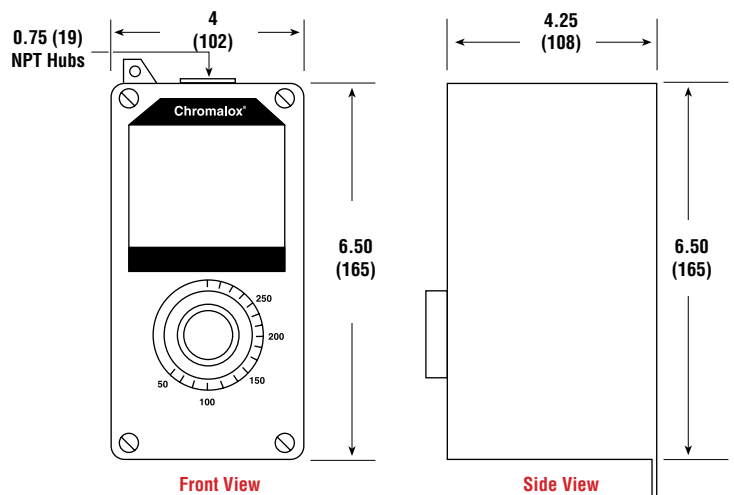
AR-LT & AR-EP Non-Indicating Temperature Controllers (cont'd.)

Dimensions

AR-LT



AR-EP



All Dimensions in Inches (mm)
See table below for Bulb Dimensions

Ordering Information

Temp. Range (°F)	Amp.		Bulb Dim. (In.)			Cap Lgth. (Ft.)	AR-LT Watertight & Weather-Resistant				AR-EP Explosion Proof			
	120-277V	480V	Style	Dia.	Lgth.		Model	Stock	PCN	Wt. (Lbs.)	Model	Stock	PCN	Wt. (Lbs.)
0-100	30	10	5	3/8	4-5/16	7	AR-115LT	NS	269990	5	AR-115EP	NS	299428	5
0-100	30	10	5	3/8	4-5/16	2	AR-115ALT	NS	299700	5	AR-115AEP	NS	227985	5
0-100	30	10	5	3/8	4-5/16	12	AR-115CLT	NS	299719	5	AR-115CEP	NS	299444	5
60-250	30	10	4	1/4	5-5/32	7	AR-214LT	NS	269691	5	AR-214EP	NS	299401	5
60-250	30	10	4	1/4	5-5/32	15	AR-214DLT	NS	299727	5	AR-214DEP	NS	227977	5
60-250	30	10	5	3/8	4	7	AR-215LT	NS	299823	5	AR-215EP	NS	299250	5
60-250	30	10	5	3/8	4	2	AR-215ALT	NS	299735	5	AR-215AEP	NS	227969	5
60-250	30	10	9	3/16	10-11/16	7	AR-219LT	NS	272313	5	AR-219EP	NS	299399	5
60-250	30	10	9	3/16	10-11/16	15	AR-219DLT	NS	299743	5	AR-219DEP	NS	227950	5
200-550	30	10	4	1/4	5-5/8	7	AR-514LT	NS	293579	5	AR-514EP	NS	299436	5
200-550	30	10	9	3/16	9	7	AR-519LT	NS	293587	5	AR-519EP	NS	299268	5
300-700	30	10	5	3/8	3-11/16	7	AR-715LT	NS	299807	5	AR-715EP	NS	299452	5
300-700	30	10	9	3/16	12	7	AR-716LT	NS	299815	5	AR-719EP	NS	299479	5

Stock Status: S = stock NS = non-stock

Notes —

- AR-EPs are UL listed for use in Class 1, Div. 1 & 2, Groups C & D and Class II, Groups E, F and G Hazardous Locations and for 120 to 277 Vac Applications only. Not rated for 480 Vac.
- See ordering information table above for Bulb and Capillary dimensions.
- Thermowells (CPW_) and Universal Compression fitting (CCF) for all AR thermostats must be ordered separately.
- Pilot Duty rating, 125 VA for 125 Vac, 250 VA for 250 - 277 Vac.