

## AFH Aluma-Flex® Band Heaters

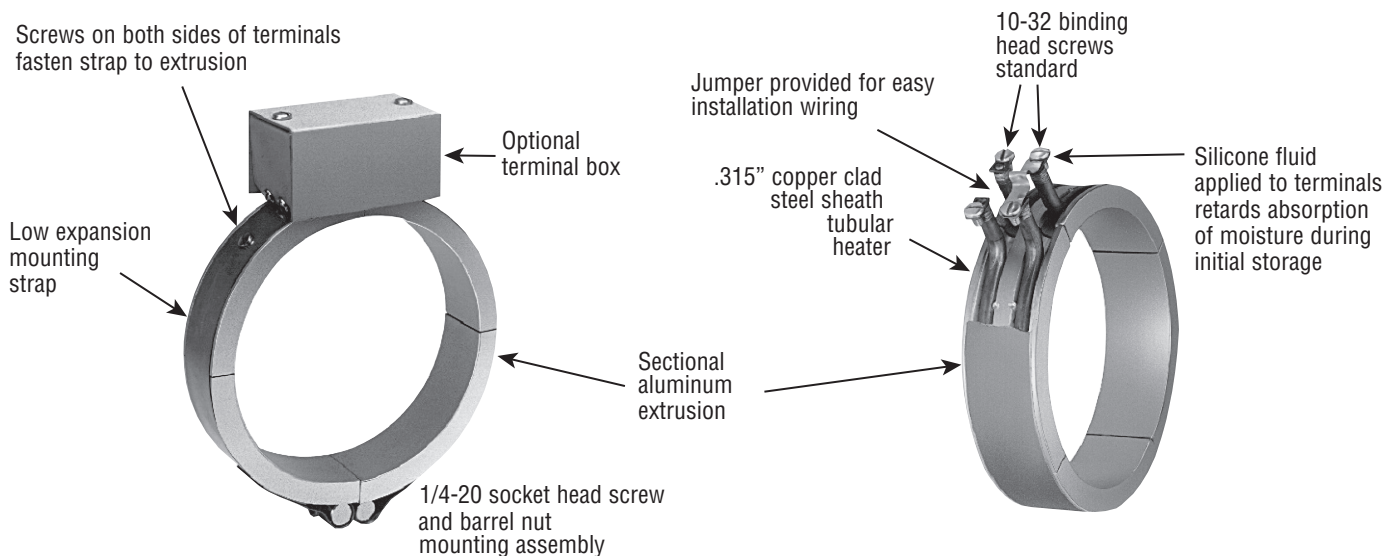
- Rugged, Long Lasting Design
- Excellent Heat Transfer from Element to Sheath and Sheath to Heated Part
- Virtually Contamination Proof
- Uniform Sheath Temperatures up to 650°F (345°C)
- Easy Installation



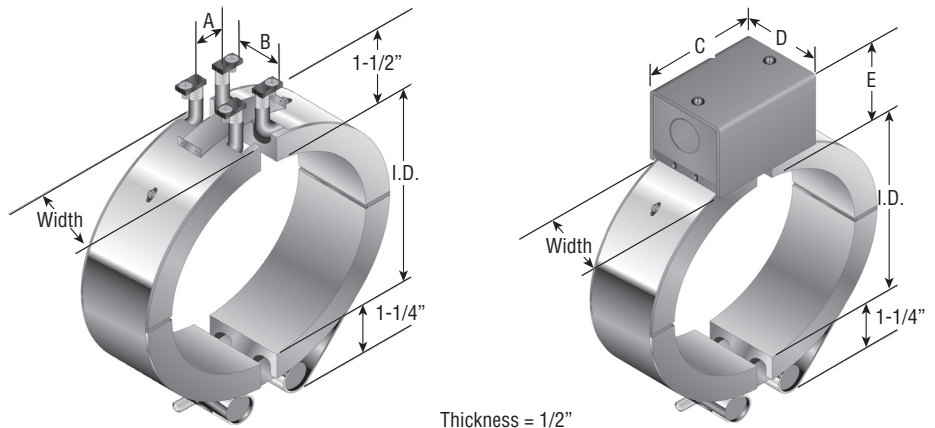
### Description

The element utilized in the Aluma-Flex Band Heater is the highly efficient, rugged, long lasting tubular heater pressed in a grooved aluminum extrusion. The combination of the tubular heater in exact contact with the excellent thermal conducting aluminum extrusion create a quick responding band heater with uniform sheath temperatures for precise process heating. With the termination a significant distance from the part being heated and no other place for contaminants to enter, the Aluma-Flex is virtu-

ally indestructible. A low expansion alloy strap with mounting hardware allows the assembly to be tightly drawn to the part to be heated. With sheath temperatures to 650°F attainable, the Aluma-Flex Band Heater is ideal for use on barrels of plastic extruders, injection molding machines, dies and die heads of extruders and blow molding equipment, or, within temperature limitations, any cylindrical surface.



## AFH Aluma-Flex® Band Heaters (cont'd.)



Dimension Reference	Width (In.)			
	1-1/2"	2-1/2"	3"	4"
A	1"	1-1/2"	1-1/2"	2"
B	3/4"	1-13/16"	2"	3-1/4"
C	3-3/8"	4"	4"	4"
D	2"	2-3/4"	3-5/8"	4-1/4"
E	2"	2-3/8"	2-3/8"	3-3/8"

### 1-1/2" Width

Model Number	I.D.	Watts	Volts
AFH1-35-0001	3-1/2	650	120/240
AFH1-35-0087	3-1/2	650	240/480
AFH1-37-0002	3-3/4	700	120/240
AFH1-37-0088	3-3/4	700	240/480
AFH1-40-0003	4	750	120/240
AFH1-40-0089	4	750	240/480
AFH1-42-0004	4-1/4	780	120/240
AFH1-42-0090	4-1/4	780	240/480
AFH1-45-0005	4-1/2	810	120/240
AFH1-45-0091	4-1/2	810	240/480
AFH1-47-0006	4-3/4	860	120/240
AFH1-47-0092	4-3/4	860	240/480
AFH1-50-0007	5	930	120/240
AFH1-50-0093	5	930	240/480
AFH1-52-0008	5-1/4	970	120/240
AFH1-52-0094	5-1/4	970	240/480
AFH1-55-0009	5-1/2	1000	120/240
AFH1-55-0095	5-1/2	1000	240/480
AFH1-57-0096	5-3/4	1060	120/240
AFH1-57-0097	5-3/4	1060	240/480
AFH1-60-0010	6	1100	120/240
AFH1-60-0098	6	1100	240/480
AFH1-62-0011	6-1/4	1150	120/240
AFH1-62-0099	6-1/4	1150	240/480
AFH1-65-0012	6-1/2	1200	120/240
AFH1-65-0100	6-1/2	1200	240/480
AFH1-67-0013	6-3/4	1250	120/240
AFH1-67-0101	6-3/4	1250	240/480
AFH1-70-0014	7	1300	120/240
AFH1-70-0102	7	1300	240/480
AFH1-72-0015	7-1/4	1350	120/240
AFH1-72-0103	7-1/4	1350	240/480

## AFH Aluma-Flex® Band Heaters (cont'd.)

1-1/2" Width (cont'd.)

Model Number	I.D.	Watts	Volts
AFH1-75-0016	7-1/2	1390	120/240
AFH1-75-0104	7-1/2	1390	240/480
AFH1-77-0017	7-3/4	1450	120/240
AFH1-77-0105	7-3/4	1450	240/480
AFH1-80-0018	8	1480	120/240
AFH1-80-0106	8-1/4	1480	240/480
AFH1-82-0019	8-1/4	1520	120/240
AFH1-82-0107	8-1/4	1520	240/480
AFH1-85-0020	8-1/2	1550	120/240
AFH1-85-0108	8-1/2	1550	240/480
AFH1-87-0021	8-3/4	1610	120/240
AFH1-87-0109	8-3/4	1610	240/480
AFH1-90-0022	9	1680	120/240
AFH1-90-0110	9	1680	240/480
AFH1-92-0023	9-1/4	1720	120/240
AFH1-92-0111	9-1/4	1720	240/480
AFH1-95-0024	9-1/2	1780	120/240
AFH1-95-0112	9-1/2	1780	240/480
AFH1-97-0025	9-3/4	1810	120/140
AFH1-97-0113	9-3/4	1810	240/480
AFH1-100-0026	10	1850	120/240
AFH1-100-0114	10	1850	240/480
AFH1-102-0027	10-1/4	1900	120/240
AFH1-102-0115	10-1/4	1900	240/480
AFH1-105-0028	10-1/2	1940	120/240
AFH1-105-0116	10-1/2	1940	240/480
AFH1-107-0029	10-3/4	2000	
AFH1-110-0030	11	2030	
AFH1-112-0031	11-1/4	2080	
AFH1-115-0032	11-1/2	2130	
AFH1-117-0033	11-3/4	2180	
AFH1-120-0034	12	2230	
AFH1-122-0035	12-1/4	2280	
AFH1-125-0036	12-1/2	2300	
AFH1-127-0037	12-3/4	2380	
AFH1-130-0038	13	2430	
AFH1-132-0039	13-1/4	2480	
AFH1-135-0040	13-1/2	2500	
AFH1-137-0041	13-3/4	2550	
AFH1-140-0042	14	2600	

## AFH Aluma-Flex® Band Heaters *(cont'd.)*

### 2-1/2" Width

Model Number	I.D.	Watts	Volts
AFH2-50-0001	5	1325	120/240
AFH2-50-0002	5	1325	240/480
AFH2-52-0003	5-1/4	1400	120/240
AFH2-52-0004	5-1/4	1400	240/480
AFH2-55-0005	5-1/2	1475	120/240
AFH2-55-0006	5-1/2	1475	240/480
AFH2-57-0007	5-3/4	1525	120/240
AFH2-57-0008	5-3/4	1525	240/480
AFH2-60-0009	6	1600	120/240
AFH2-60-0010	6	1600	240/480
AFH2-62-0011	6-1/4	1675	120/240
AFH2-62-0012	6-1/4	1675	240/480
AFH2-65-0013	6-1/2	1750	120/240
AFH2-65-0014	6-1/2	1750	240/480
AFH2-67-0015	6-3/4	1800	120/240
AFH2-67-0016	6-3/4	1800	240/480
AFH2-70-0017	7	1875	120/240
AFH2-70-0018	7	1875	240/480
AFH2-72-0019	7-1/4	1950	120/240
AFH2-72-0020	7-1/4	1950	240/480
AFH2-75-0021	7-1/2	2025	120/240
AFH2-75-0022	7-1/2	2025	240/480
AFH2-77-0023	7-3/4	2075	120/240
AFH2-77-0024	7-3/4	2075	240/480
AFH2-80-0025	8	2150	120/240
AFH2-80-0026	8	2150	240/480
AFH2-82-0027	8-1/4	2225	120/240
AFH2-82-0028	8-1/4	2225	240/480
AFH2-85-0029	8-1/2	2300	120/240
AFH2-85-0030	8-1/2	2300	240/480
AFH2-87-0031	8-1/4	2350	120/240
AFH2-87-0032	8-3/4	2350	240/480
AFH2-90-0033	9	2425	120/240
AFH2-90-0034	9	2425	240/480
AFH2-92-0035	9-1/4	2500	120/240
AFH2-92-0036	9-1/4	2500	240/480
AFH2-95-0037	9-1/2	2575	120/240
AFH2-95-0038	9-1/2	2575	240/480
AFH2-97-0039	9-3/4	2625	120/240
AFH2-97-0040	9-3/4	2625	240/480
AFH2-100-0041	10	2700	120/240
AFH2-100-0042	10	2700	240/480
AFH2-100-0043	10-1/4	2775	
AFH2-105-0044	10-1/4	2850	
AFH2-107-0045	10-1/4	2900	
AFH2-110-0046	11	2975	
AFH2-112-0047	11-1/4	3050	
AFH2-115-0048	11-1/2	3125	
AFH2-117-0049	11-3/4	3175	
AFH2-120-0050	12	3250	
AFH2-122-0051	12-1/4	3370	
AFH2-125-0052	12-1/2	3425	
AFH2-127-0053	12-3/4	3500	
AFH2-130-0054	13	3575	
AFH2-132-0055	13-1/4	3640	
AFH2-135-0056	13-1/2	3710	
AFH2-137-0057	13-1/4	3775	
AFH2-140-0058	14	3850	

## AFH Aluma-Flex® Band Heaters *(cont'd.)*

### 3" Width

Model Number	I.D.	Watts	Volts
AFH3-50-0001	5	1400	120/240
AFH3-50-0038	5	1400	240/480
AFH3-52-0002	5-1/4	1480	120/240
AFH3-52-0039	5-1/4	1480	240/480
AFH3-55-0003	5-1/2	1550	120/240
AFH3-55-0040	5-1/2	1550	240/480
AFH3-57-0004	5-3/4	1630	120/240
AFH3-57-0041	5-3/4	1630	240/480
AFH3-60-0005	6	1700	120/240
AFH3-60-0042	6	1700	240/480
AFH3-62-0006	6-1/4	1780	120/240
AFH3-62-0043	6-1/4	1780	240/480
AFH3-65-0007	6-1/2	1830	120/240
AFH3-65-0044	6-1/2	1830	240/480
AFH3-67-0008	6-3/4	1900	120/240
AFH3-67-0045	6-3/4	1900	240/480
AFH3-70-0009	7	1980	120/240
AFH3-70-0046	7	1980	240/480
AFH3-72-0010	7-1/4	2050	
AFH3-75-0011	7-1/2	2130	
AFH3-77-0012	7-3/4	2200	
AFH3-80-0013	8	2280	
AFH3-82-0014	8-1/4	2330	
AFH3-85-0015	8-1/2	2400	
AFH3-87-0016	8-3/4	2480	
AFH3-90-0017	9	2550	
AFH3-92-0018	9-1/4	2600	
AFH3-95-0019	9-1/2	2680	
AFH3-97-0020	9-3/4	2750	
AFH3-100-0021	10	2830	
AFH3-102-0022	10-1/4	2900	
AFH3-105-0023	10-1/2	2980	
AFH3-107-0024	10-3/4	3030	
AFH3-110-0025	11	3100	
AFH3-112-0026	11-1/4	3180	
AFH3-115-0027	11-1/2	3250	
AFH3-117-0028	11-3/4	3330	
AFH3-120-0029	12	3400	
AFH3-122-0030	12-1/4	3480	
AFH3-125-0031	12-1/2	3530	
AFH3-127-0032	12-3/4	3600	
AFH3-130-0033	13	3680	
AFH3-132-0034	13-1/4	3750	
AFH3-135-0035	13-1/2	3800	
AFH3-137-0036	13-3/4	3880	

## AFH Aluma-Flex® Band Heaters *(cont'd.)*

### 4" Width

Model Number	I.D.	Watts	Volts
AFH4-50-0001	5	1875	120/240
AFH4-50-0002	5	1875	240/480
AFH4-52-0003	5-1/4	1975	120/240
AFH4-52-0004	5-1/4	1975	240/480
AFH4-55-0005	5-1/2	2075	120/240
AFH4-55-0006	5-1/2	2075	240/480
AFH4-57-0007	5-3/4	2175	120/240
AFH4-57-0008	5-3/4	2175	240/480
AFH4-60-0009	6	2285	120/240
AFH4-60-0010	6	2285	240/480
AFH4-62-0011	6-1/4	2375	120/240
AFH4-62-0012	6-1/4	2375	240/480
AFH4-65-0013	6-1/2	2475	120/240
AFH4-65-0014	6-1/2	2475	240/480
AFH4-67-0015	6-3/4	2575	120/240
AFH4-67-0016	6-3/4	2575	240/480
AFH4-70-0017	7	2675	120/240
AFH4-70-0018	7	2675	240/480
AFH4-72-0019	7-1/4	2750	120/240
AFH4-72-0020	7-1/4	2750	240/480
AFH4-75-0021	7-1/2	2850	120/240
AFH4-75-0022	7-1/2	2850	240/480
AFH4-77-0023	7-3/4	2950	120/240
AFH4-77-0024	7-3/4	2950	240/480
AFH4-80-0025	8	3050	120/240
AFH4-80-0026	8	3050	240/480
AFH4-82-0027	8-1/4	3150	120/240
AFH4-82-0028	8-1/4	3150	240/480
AFH4-85-0029	8-1/2	3250	120/240
AFH4-85-0030	8-1/2	3250	240/480
AFH4-87-0031	8-3/4	3350	120/240
AFH4-87-0032	8-3/4	3350	240/480
AFH4-90-0033	9	3450	120/240
AFH4-90-0034	9	3450	240/480
AFH4-92-0035	9-1/4	3550	120/240
AFH4-92-0036	9-1/4	3550	240/480
AFH4-95-0037	9-1/2	3625	240/480
AFH4-97-0038	9-3/4	3725	240/480
AFH4-100-0039	10	3825	240/480
AFH4-102-0040	10-1/4	3925	240/480
AFH4-105-0041	10-1/2	4025	240/480
AFH4-107-0042	10-3/4	4125	240/480
AFH4-110-0043	11	4225	240/480
AFH4-112-0044	11-1/4	4325	240/480
AFH4-115-0045	11-1/2	4425	240/480
AFH4-117-0046	11-3/4	4500	240/480
AFH4-120-0047	12	4600	240/480
AFH4-122-0048	12-1/4	4700	240/480
AFH4-125-0049	12-1/2	4800	240/480
AFH4-127-0050	12-3/4	4900	240/480
AFH4-130-0051	13	5000	240/480
AFH4-132-0052	13-1/4	5100	240/480
AFH4-135-0053	13-1/2	5200	240/480
AFH4-137-0054	13-3/4	5350	240/480
AFH4-140-0055	14	5450	240/480

All items shown are with "Type S" termination. Add "B" to catalog number for terminal box or "BA" for box fitted with conduit.

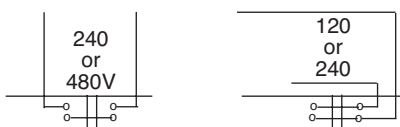
EXAMPLES: AFH1-80-0018-B, AFH3-125-0031-BA

## AFH Aluma-Flex® Band Heaters (cont'd.)

### Additional Features

- **Type BA:** Standard terminal box pre-wired and fitted with conduit (12" standard length). Plug can be attached to conduit.
- **Type P:** Probe holes (Consult factory). Max hole  $\varnothing$  3/8"
- **Type L:** Spring loaded screw for thermal expansion compensation (over 18" diameter).
- **Type I:** Diameter design for internally heating cylinder.

### Wiring



- **Type C:** Copper, steel or stainless steel cooling tubes on 2-1/2", 3", and 4" wide units. Can be supplied heat/cool or cooling only. Reduce standard wattages as shown by 25%.

### Specifications

- Resistance Tolerance: ... + 10%, - 5%
- Wattage Tolerance:..... + 5%, - 10%
- Maximum Volts:..... 277 each half
- Maximum Amperage:.. 30
- Maximum Watt Density:..... 40 watts/in. on sheath
- Minimum I.D.:..... 3-1/2" on 1-1/2" and 2-1/2" wide. 5" on 3" and 4" wide.
- Maximum I.D.:..... Consult Ogden – any practical diameter is possible with additional segmentation.
- Thickness:..... 1/2"
- Standard Gap when Tightened:..... 1/4" up to 12" I.D. Gap increases with diameter to compensate for thermal expansion.

- **Type M7:** Terminal area is brazed or welded to a moisture/explosion resistant terminal enclosure.

**Note:** Heaters with the M7 enclosures are not 3rd party certified for hazardous locations.

