

ADH & ADHT Series

High Temperature Air Duct Heaters

- 5 - 300 kW
- 240 and 480 Volt, Three Phase (Up to 600V Available)
- INCOLOY® Sheath Elements
- 800°F Max. Outlet Air Temp. (ADH)
- 1200°F Max. Outlet Air Temp. (ADHT)

Applications

- Heat Air for Drying and Curing operations up to 1200°F Air Temperature
- Heat Treating
- Reheating or Dehumidification
- Aircraft Manufacturing
- Autoclaves
- Annealing
- Drying
- Paint Baking or Drying
- Sterilizing

Features

Long Life Metal Sheath Tubular Elements

— High grade INCOLOY® sheath material for excellent corrosion/oxidation resistance at high operating temperatures.

Sturdy Metal Sheath Elements minimize problems associated with open coil resistance wire units.

High Purity Magnesium Oxide — The elements are filled with highest purity blends of magnesium oxide refractory (MgO) compacted to a rock hard density to ensure good thermal conductivity and electrical insulation resistance.

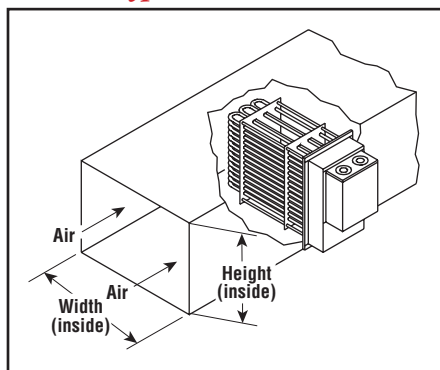
Superior Grade Resistance Wire — The heart of each heating element is made of high quality resistance wire for maximum life.

Low Watt Density Resistor Wire — Watt density on the heating coil is designed for low watt density operation by increasing the coil and wire diameter, and length of resistance wire to give maximum surface area and low operating coil surface temperature — providing longer coil life.

Superior Construction at Element Bends — All element bends are repressed in hydraulic



ADH — Typical Installation



presses after bending to assure recompaction of refractory material to eliminate hot spots and electrical insulation voids.

Low Wiring Compartment Temperatures

— Made possible by the addition of a one inch thick blanket of insulation in the terminal box. High temperature ADHT units include an additional three inches of insulation to help reduce duct heat losses.

Meets NEC Wiring Requirements — Heaters are subdivided into 48 Amp maximum circuits in compliance with the National Electrical Code.

Easy Access to Field Wiring Terminals

— Terminal housing is completely removable for maximum access to field wiring terminals. Individual terminal blocks with threaded stud type terminals are provided for each circuit to permit quick positive attachment of circuit wiring conductors.

Dirt & Dust Resistant Terminal Housing

— Made of solid heavy gauge aluminized steel, rather than perforated metal, to resist dirt and dust accumulation on the electrical connections and thus provide longer service life.

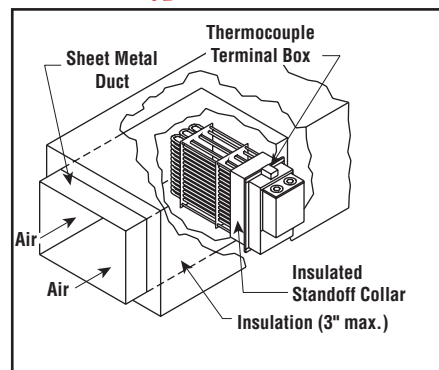
Flange Mounting Gasket — Packed separately with each duct heater to minimize air leakage between the flange and air duct.

Tandem Mounting — Multiple heaters may be mounted in tandem with each other provided the maximum recommended outlet air temperature is not exceeded.

Element Support Plate — A stainless steel element support plate is held in place with Stainless Steel support rods to provide structural stability.



ADHT — Typical Installation



Pressure Drop — See Pressure Drop Curve G-227-2 under Air & Gas Data in the Technical section of this catalog.

Options

Gas Tight Design — Threaded fittings with fiber washers attach heating elements to flange — prevents leakage of ducted air into terminal housing.

Overtemperature Protection — Thermocouple welded to the element sheath surface and wired to a terminal block allows for accurate overheat protection. Standard Type K thermocouple on ADHT high temperature heaters.

Thermocouple Sensor for air temperature control.

Moisture or Explosion-Resistant Terminal Enclosures are available for those applications requiring special terminal protection. Explosion-Resistant enclosure design meets requirements for Class I, Div.2, Group D area but does not carry any third party listing.

CAUTION — If atmosphere in duct contains combustible gases or vapors, sheath temperatures must be limited not to exceed 80% of the ignition temperature of the gas or the vapor involved. Check with your Local Chromalox Sales office for recommendations.

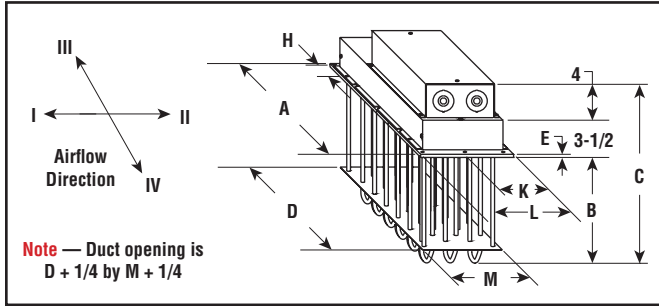
Special Ratings, Sizes or Construction Materials — Chromalox can fabricate a duct heater to your special rating, physical size or other specifications.

Application Assistance — Chromalox will assist you in the design or selection of equipment. Contact your Local Chromalox Sales office.

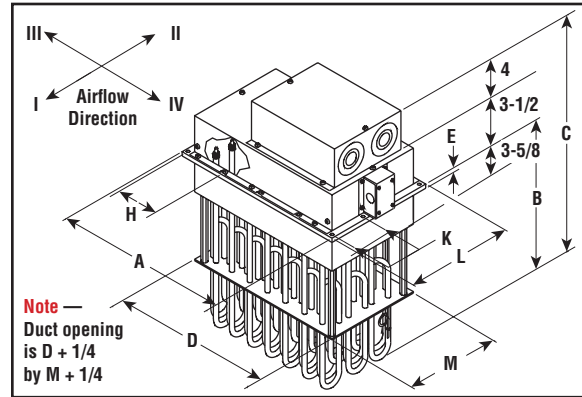
ADH & ADHT Series

High Temperature Air Duct Heaters (cont'd.)

ADH - Dimensions (Inches) (See Dimensional Table)



ADHT - Dimensions (Inches) (See Dimensional Table)



Dimensional Table ADH / ADHT

Cat. No.	Cat. No.	kW	No. Elem.	Dimensions (In.)								
				A	B	C	D	E	H	K	L	M
ADH-005	ADHT-005	5	3	5-5/8	20-3/8	28-1/8	4	1/4	2-1/2	3-1/2	11-1/8	9-1/2
ADH-010	ADHT-010	10	6	7-5/8	20-3/8	28-1/8	6	1/4	3-1/2	3-1/2	11-1/8	9-1/2
ADH-015	ADHT-015	15	9	9-5/8	20-3/8	28-1/8	8	1/4	3	3-1/2	11-1/8	9-1/2
ADH-020	ADHT-020	20	12	11-5/8	20-3/8	28-1/8	10	1/4	2-3/4	3-1/2	11-1/8	9-1/2
ADH-025	ADHT-025	25	15	13-5/8	20-3/8	28-1/8	12	1/4	3-1/4	3-1/2	11-1/8	9-1/2
ADH-030	ADHT-030	30	18	15-5/8	20-3/8	28-1/4	14	3/8	3-3/4	3-1/2	11-1/8	9-1/2
ADH-035	ADHT-035	35	21	17-5/8	20-3/8	28-1/4	16	3/8	4-1/4	3-1/2	11-1/8	9-1/2
ADH-040	ADHT-040	40	24	19-5/8	20-3/8	28-1/4	18	3/8	4-3/4	3-1/2	11-1/8	9-1/2
ADH-045	ADHT-045	45	27	21-5/8	20-3/8	28-1/4	20	3/8	5-1/4	3-1/2	11-1/8	9-1/2
ADH-050	ADHT-050	50	30	23-5/8	20-3/8	28-1/4	22	3/8	5-3/4	3-1/2	11-1/8	9-1/2
ADH-060	ADHT-060	60	36	27-5/8	20-3/8	28-1/4	26	3/8	4-1/2	3-1/2	11-1/8	9-1/2
ADH-070	ADHT-070	70	42	31-5/8	20-1/8	28-1/4	30	3/8	3-7/8	3-1/2	11-1/8	9-1/2
ADH-080	ADHT-080	80	48	35-5/8	20-3/8	28-1/4	34	3/8	4-3/8	3-1/2	11-1/8	9-1/2
ADH-090	ADHT-090	90	54	39-5/8	20-3/8	28-1/4	38	3/8	4-7/8	3-1/2	11-1/8	9-1/2
ADH-100	ADHT-100	100	60	43-5/8	20-3/8	28-1/4	42	3/8	5-3/8	3-1/2	11-1/8	9-1/2
-	ADHT-120	120	48	35-5/8	35	42-7/8	26	3/8	4-1/2	3-1/2	11-1/8	9-1/2
ADH-126	-	126	42	31-5/8	35	42-7/8	30	3/8	3-7/8	3-1/2	11-1/8	9-1/2
ADH-144	-	144	48	35-5/8	35	42-7/8	34	3/8	4-3/8	3-1/2	11-1/8	9-1/2
-	ADHT-160	160	48	35-5/8	35	42-7/8	34	3/8	4-3/8	3-1/2	11-1/8	9-1/2
ADH-162	-	162	54	39-5/8	35	42-7/8	38	3/8	4-7/8	3-1/2	11-1/8	9-1/2
-	ADHT-180	180	54	39-5/8	35	42-7/8	38	3/8	4-7/8	3-1/2	11-1/8	9-1/2
ADH-216	-	216	72	27-5/8	35	42-7/8	26	3/8	4-1/2	3-7/8	20	18-3/8
-	ADHT-240	240	72	27-5/8	35	42-7/8	26	3/8	4-1/2	3-7/8	20	18-3/8
ADH-270	-	270	90	33-5/8	35	42-7/8	32	3/8	5-1/2	3-7/8	20	18-3/8
-	ADHT-300	300	90	33-5/8	35	42-7/8	32	3/8	5-1/2	3-7/8	20	18-3/8

All Heaters can be mounted in any position; top, side or bottom entry. In high ambient temperature operations, least corrosive action and least oxidation to the terminals will occur if heaters are mounted with terminals in the coolest possible ambient, usually on bottom or side of duct. Minimum duct size is A or L dimension plus 3/8" and B dimension plus 1-5/8", and 3" for insulation housing.

Electrical Table for ADH and ADHT Duct heaters

KW	No. Elements	Number of Circuits			
		240V 1Ph	240V 3 Ph	480V 1 Ph	480V 3 Ph
5	3	1	1	1	1
10	6	1	1	1	1
15	9	3	1	1	1
20	12	2	2	1	1
25	15	3	2	2	1
30	18	3	2	3	1
35	21	X	3	2	1
40	24	X	3	2	2
45	27	X	3	3	2
50	30	X	5	3	2
60	36	X	X	X	2
70	42	X	X	X	4
80	48	X	X	X	4
90	54	X	X	X	5
100	60	X	X	X	5
120	36	X	X	X	4
126	42	X	X	X	4
144	48	X	X	X	4
160	48	X	X	X	8
162	54	X	X	X	6
180	54	X	X	X	6
216	72	X	X	X	6
240	72	X	X	X	8
270	90	X	X	X	8
300	90	X	X	X	10

All standard circuits are maximum of 48 Amps
For other # of circuits/amps per circuit consult factory
X denotes not standard

For selecting the proper control panel for use with the ADH and ADHT duct heaters, the number of circuits is of crucial importance. The Electrical table, at right, should be used for the purpose of determining the number of circuits in the panel.

Field Wiring — Refer to Graph ADHTB Terminal Box Temperature field wiring selection guide in the technical section of this catalog (Section I).

Gas tight construction should be considered if the gas pressure in the duct is at a higher relative pressure than in the terminal box which is at room air pressure. Refer to ADH/ADHT terminal box temperature and field wiring selection guide showing the temperature in the terminal box at various gas outlet temperatures. This guide is graph ADHTB located in the Air and Gas Heating section in the technical pages in the back of the catalog.

AIR DUCT

ADH High Temperature Air Duct Heaters

- 5 - 270 kW
- 240 and 480 Volt, Three Phase (Up to 600V Available)
- INCOLOY® Sheath Elements
- 30 W/In²
- 800°F Max. Outlet Air Temp.

Construction

Rugged Construction Elements — Sturdy 0.475" diameter INCOLOY® sheath tubular elements are mounted to a heavy 1/4 or 3/8" thick steel flange. Element fasteners allow for easy replacement.

Corrosion-Resistant Terminal Enclosure — The element terminal enclosure is made of 16 gauge high-temperature, corrosion-resistant steel and includes 1" thick high-temperature insulation to minimize temperatures in the wiring area.

Wiring Box — The 16 gauge wiring box encloses individual terminal blocks for each circuit. Threaded stud type terminals are provided to permit quick positive attachment of circuit wiring conductors.

Mounting

All Heaters can be mounted in any position; top, side or bottom entry. In high ambient temperature operations, least corrosive action and least oxidation to the terminals will occur if heaters are mounted with terminals in the coolest possible ambient, usually on bottom or side of duct. Minimum duct size is A or L dimension plus 3/8" and B dimension plus 1-5/8".

Application & Selection Guidelines

Maximum Work Temperatures — Type ADH heaters can generally be used at the following maximum temperatures, provided the minimum air velocity is maintained uniformly through the heater.

Air Velocity (Ft./Sec.)	Max. Outlet Air Temp. (°F)
4 - 36	800

Note — Maximum temperatures are based on 30 W/In². If elements have a lower watt density, work temperature may be increased; if watt density is higher, work temperature should be lower.

Note — An airflow type switch or other device is recommended to protect against loss of airflow.

Note — See Allowable Watt Density & Heater Selection Graphs in the Technical section of this catalog.

Basic Model				Includes Thermocouple			Includes Gas Tight Fittings			Includes Thermocouple & Fgts.		
Volts KW Phase	Model	PCN	SS	Model	PCN	SS	Model	PCN	SS	Model	PCN	SS
240V 5KW 1PH	ADH-005	210673	NS	ADH-005T	214770	NS	ADH-005F	215212	NS	ADH-005FT	215634	NS
240V 5KW 3PH	ADH-005	210681	NS	ADH-005T	214789	NS	ADH-005F	215220	NS	ADH-005FT	215642	NS
480V 5KW 1PH	ADH-005	210690	NS	ADH-005T	214797	NS	ADH-005F	215239	NS	ADH-005FT	215650	NS
480V 5KW 3PH	ADH-005	210016	NS	ADH-005T	214800	NS	ADH-005F	215247	NS	ADH-005FT	215669	NS
240V 10KW 1PH	ADH-010	210702	NS	ADH-010T	214818	NS	ADH-010F	215255	NS	ADH-010FT	215677	NS
240V 10KW 3PH	ADH-010	210710	NS	ADH-010T	214826	NS	ADH-010F	215263	NS	ADH-010FT	215685	NS
480V 10KW 1PH	ADH-010	210729	NS	ADH-010T	214834	NS	ADH-010F	215271	NS	ADH-010FT	215693	NS
480V 10KW 3PH	ADH-010	210024	S	ADH-010T	214842	NS	ADH-010F	215280	NS	ADH-010FT	215706	NS
240V 15KW 1PH	ADH-015	210737	NS	ADH-015T	214850	NS	ADH-015F	215298	NS	ADH-015FT	215714	NS
240V 15KW 3PH	ADH-015	210745	NS	ADH-015T	214869	NS	ADH-015F	215300	NS	ADH-015FT	215722	NS
480V 15KW 1PH	ADH-015	210753	NS	ADH-015T	214877	NS	ADH-015F	215319	NS	ADH-015FT	215730	NS
480V 15KW 3PH	ADH-015	210032	S	ADH-015T	214885	NS	ADH-015F	215327	NS	ADH-015FT	215749	NS
240V 20KW 1PH	ADH-020	210761	NS	ADH-020T	214893	NS	ADH-020F	215335	NS	ADH-020FT	215757	NS
240V 20KW 3PH	ADH-020	210788	NS	ADH-020T	214906	NS	ADH-020F	215343	NS	ADH-020FT	215765	NS
480V 20KW 1PH	ADH-020	210796	NS	ADH-020T	214914	NS	ADH-020F	215351	NS	ADH-020FT	215773	NS
480V 20KW 3PH	ADH-020	210040	S	ADH-020T	214922	NS	ADH-020F	215360	NS	ADH-020FT	215781	NS
240V 25KW 1PH	ADH-025	210809	S	ADH-025T	214930	NS	ADH-025F	215378	NS	ADH-025FT	215790	NS
240V 25KW 3PH	ADH-025	210817	NS	ADH-025T	214949	NS	ADH-025F	215386	NS	ADH-025FT	215802	NS
480V 25KW 1PH	ADH-025	210825	NS	ADH-025T	214957	NS	ADH-025F	215394	NS	ADH-025FT	215810	NS
480V 25KW 3PH	ADH-025	210059	NS	ADH-025T	214965	NS	ADH-025F	215407	NS	ADH-025FT	215829	NS
240V 30KW 1PH	ADH-030	210833	NS	ADH-030T	214973	NS	ADH-030F	215415	NS	ADH-030FT	215837	NS
240V 30KW 3PH	ADH-030	210841	NS	ADH-030T	214981	NS	ADH-030F	215423	NS	ADH-030FT	215845	NS
480V 30KW 1PH	ADH-030	210850	NS	ADH-030T	214990	NS	ADH-030F	215431	NS	ADH-030FT	215855	NS
480V 30KW 3PH	ADH-030	210067	NS	ADH-030T	215001	NS	ADH-030F	215440	NS	ADH-030FT	215861	NS
240V 35KW 3PH	ADH-035	210868	NS	ADH-035T	215036	NS	ADH-035F	215458	NS	ADH-035FT	215870	NS
480V 35KW 1PH	ADH-035	210876	NS	ADH-035T	215044	NS	ADH-035F	215466	NS	ADH-035FT	215888	NS
480V 35KW 3PH	ADH-035	210075	NS	ADH-035T	215052	NS	ADH-035F	215474	NS	ADH-035FT	215896	NS
240V 40KW 3PH	ADH-040	210884	NS	ADH-040T	215060	NS	ADH-040F	215482	NS	ADH-040FT	215909	NS
480V 40KW 1PH	ADH-040	210892	NS	ADH-040T	215079	NS	ADH-040F	215490	NS	ADH-040FT	215917	NS
480V 40KW 3PH	ADH-040	210083	NS	ADH-040T	215087	NS	ADH-040F	215503	NS	ADH-040FT	215925	NS
240V 45KW 3PH	ADH-045	210905	NS	ADH-045T	215095	NS	ADH-045F	215511	NS	ADH-045FT	215933	NS
480V 45KW 1PH	ADH-045	210913	NS	ADH-045T	215108	NS	ADH-045F	215520	NS	ADH-045FT	215941	NS
480V 45KW 3PH	ADH-045	210091	NS	ADH-045T	215116	NS	ADH-045F	215538	NS	ADH-045FT	215950	NS
240V 50KW 3PH	ADH-050	210921	NS	ADH-050T	215124	NS	ADH-050F	215546	NS	ADH-050FT	215968	NS
480V 50KW 1PH	ADH-050	210930	NS	ADH-050T	215132	NS	ADH-050F	215554	NS	ADH-050FT	215976	NS
480V 50KW 3PH	ADH-050	210104	NS	ADH-050T	215140	NS	ADH-050F	215562	NS	ADH-050FT	215984	NS
480V 60KW 3PH	ADH-060	210112	NS	ADH-060T	215159	NS	ADH-060F	215570	NS	ADH-060FT	215992	NS
480V 70KW 3PH	ADH-070	210948	NS	ADH-070T	215167	NS	ADH-070F	215589	NS	ADH-070FT	216004	NS
480V 80KW 3PH	ADH-080	210120	NS	ADH-080T	215175	NS	ADH-080F	215597	NS	ADH-080FT	216100	NS
480V 90KW 3PH	ADH-090	210139	NS	ADH-090T	215183	NS	ADH-090F	215600	NS	ADH-090FT	216119	NS
480V 100KW 3PH	ADH-100	210147	NS	ADH-100T	215191	NS	ADH-100F	215618	NS	ADH-100FT	216127	NS
480V 126KW 3PH	ADH-126	210956	NS	ADH-126T	215204	NS	ADH-126F	215626	NS	ADH-126FT	216135	NS
480V 144KW 3PH	ADH-144	210155	NS	ADH-144T	216936	NS	ADH-144F	216952	NS	ADH-144FT	216143	NS
480V 162KW 3PH	ADH-162	210163	NS	ADH-162T	216944	NS	ADH-162F	216960	NS	ADH-162FT	216151	NS
480V 216KW 3PH							ADH-216F	210171	NS	ADH-216FT	216928	NS
480V 270KW 3PH							ADH-270F	210180	NS	ADH-270FT	216160	NS

Stock Status: S = stock NS = non-stock
To Order—Specify model, PCN, kW and quantity.

ADHT High Temperature Air Duct Heater

- 5 - 300 kW
- 240 and 480 Volt, Three Phase (Up to 600V Available)
- INCOLOY® Sheath Elements
- 20 W/In²
- 1200°F Max. Outlet Air Temp.
- Insulated Standoff Collar

Type ADHT

Construction

Rugged Construction Elements — Sturdy 0.475" diameter INCOLOY® sheath tubular elements are mounted to a heavy 1/4 or 3/8" thick steel flange. Element fasteners to allow for easy replacement.

Corrosion-Resistant Terminal Enclosure — The element terminal enclosure is made of 16 gauge high-temperature, corrosion-resistant steel and includes 1" thick high-temperature insulation to minimize temperatures in the wiring area.

Wiring Box — The 16 gauge wiring box encloses individual terminal blocks for each circuit. Threaded stud type terminals are provided to permit quick positive attachment of circuit wiring conductors.

Insulation Housing — Includes 3" of high temperature thermal insulation to reduce duct heat conducted into terminal enclosure.

Overtemperature Protection — A type K thermocouple is welded to the element sheath surface to sense element temperature, and is wired to a terminal block located on the outer surface of the terminal housing.

Mounting

Generally mounted to a field fabricated stand off collar from the ductwork to position the heater such that the 3" insulation housing is in the same plane as the duct insulation.

All Heaters can be mounted in any position; top, side or bottom entry. In high ambient temperature operations, least corrosive action and least oxidation to the terminals will occur if heaters are mounted with terminals in the coolest possible ambient, usually on bottom or side of duct. Minimum duct size is A or L dimension plus 3/8" and B dimension plus 1-5/8", and 3" for insulation housing.

Application & Selection Guidelines

Maximum Work Temperatures — Type ADHT heaters can generally be used at the following maximum temperatures, provided the minimum air velocity is maintained uniformly through the heater. Maximum temperatures are based on 20 W/In².

Air Velocity (Ft./Sec.)	Max. Outlet Air Temp. (°F)
4	1050
9	1100
16	1150
25	1200
36	1200

Note — See Allowable Watt Density & Heater Selection Graphs in Technical section.

Note — An airflow type switch or other device is recommended to protect against loss of airflow.

Basic Model				Includes Gas Tight Fittings		
Volts KW Phase	Model	PCN	SS	Model	PCN	SS
240V 5KW 1PH	ADHT-005	216178	NS	ADHT-005F	216450	NS
240V 5KW 3PH	ADHT-005	216186	NS	ADHT-005F	216469	NS
480V 5KW 1PH	ADHT-005	216194	NS	ADHT-005F	216477	NS
480V 5KW 3PH	ADHT-005	210198	NS	ADHT-005F	216485	NS
240V 10KW 1PH	ADHT-010	216215	NS	ADHT-010F	216493	NS
240V 10KW 3PH	ADHT-010	216223	NS	ADHT-010F	216506	NS
480V 10KW 1PH	ADHT-010	216231	NS	ADHT-010F	216549	NS
480V 10KW 3PH	ADHT-010	210200	NS	ADHT-010F	216557	NS
240V 15KW 1PH	ADHT-015	216248	NS	ADHT-015F	216565	NS
240V 15KW 3PH	ADHT-015	216258	NS	ADHT-015F	216573	NS
480V 15KW 1PH	ADHT-015	216266	NS	ADHT-015F	216581	NS
480V 15KW 3PH	ADHT-015	210219	NS	ADHT-015F	216590	NS
240V 20KW 1PH	ADHT-020	216274	NS	ADHT-020F	216602	NS
240V 20KW 3PH	ADHT-020	216282	NS	ADHT-020F	216610	NS
480V 20KW 1PH	ADHT-020	216290	NS	ADHT-020F	216629	NS
480V 20KW 3PH	ADHT-020	210227	NS	ADHT-020F	216637	NS
240V 25KW 1PH	ADHT-025	216303	NS	ADHT-025F	216645	NS
240V 25KW 3PH	ADHT-025	216311	NS	ADHT-025F	216653	NS
480V 25KW 1PH	ADHT-025	216320	NS	ADHT-025F	216661	NS
480V 25KW 3PH	ADHT-025	210235	NS	ADHT-025F	216670	ST
240V 30KW 1PH	ADHT-030	216338	NS	ADHT-030F	216688	NS
240V 30KW 3PH	ADHT-030	216346	NS	ADHT-030F	216696	NS
480V 30KW 1PH	ADHT-030	216354	NS	ADHT-030F	216709	NS
480V 30KW 3PH	ADHT-030	210243	NS	ADHT-030F	216717	NS
240V 35KW 3PH	ADHT-035	216362	NS	ADHT-035F	216725	NS
480V 35KW 1PH	ADHT-035	216370	NS	ADHT-035F	216733	NS
480V 35KW 3PH	ADHT-035	210251	NS	ADHT-035F	216741	NS
240V 40KW 3PH	ADHT-040	216389	NS	ADHT-040F	216750	NS
480V 40KW 1PH	ADHT-040	216397	NS	ADHT-040F	216768	NS
480V 40KW 3PH	ADHT-040	210260	NS	ADHT-040F	216776	NS
240V 45KW 3PH	ADHT-045	216408	NS	ADHT-045F	216784	NS
480V 45KW 1PH	ADHT-045	216418	NS	ADHT-045F	216792	NS
480V 45KW 3PH	ADHT-045	210278	NS	ADHT-045F	216805	NS
240V 50KW 3PH	ADHT-050	216426	NS	ADHT-050F	216813	NS
480V 50KW 1PH	ADHT-050	216434	NS	ADHT-050F	216821	NS
480V 50KW 3PH	ADHT-050	210286	NS	ADHT-050F	216830	NS
480V 60KW 2-3PH	ADHT-060	210294	NS	ADHT-060F	216848	NS
480V 70KW 3PH	ADHT-070	216442	NS	ADHT-070F	216856	NS
480V 80KW 3PH	ADHT-080	210307	NS	ADHT-080F	216864	NS
480V 90KW 3PH	ADHT-090	210315	NS	ADHT-090F	216872	NS
480V 100KW 3PH	ADHT-100	210323	NS	ADHT-100F	216880	NS
480V 120KW 3PH	ADHT-120	210331	NS	ADHT-120F	216899	NS
480V 160KW 3PH	ADHT-160	210340	NS	ADHT-160F	216901	NS
480V 180KW 3PH	ADHT-180	210358	NS	ADHT-180F	216910	AS
480V 240KW 3PH				ADHT-240F	210366	NS
480V 300KW 3PH				ADHT-300F	210374	NS

Stock Status: S = stock NS = non-stock
To Order — Specify model, PCN, kW and quantity.