

4001 Triac

DIN-Rail Mount Single Phase Power Controller

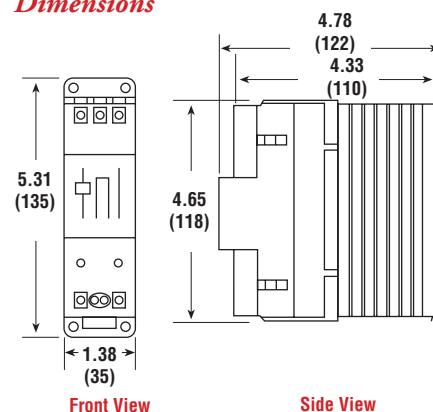


- Single Phase Loads up to 18 Amps, 240 Vac
- 4.5 to 35 Vdc Input Signal
- Easy DIN-Rail or Sub-Panel Installation
- Size Compatible for Easy Replacement of Mercury Displacement Relays
- Zero-Crossover Switching to Minimize RFI and EMI
- Front Access Terminals for Easy Wiring
- LED Indication of SSR ON

Description

The 4001 low current solid state power controllers combine Chromalox's years of power switching technology experience and know-how with new components and packaging technologies to deliver reliable and easy-to-install components. The 4001 series power controllers are compactly packaged to allow for fast and easy DIN-rail or sub-panel mounting, with wiring terminals easily accessible from the front. The depth and height of all controllers in the 4000 series are consistent, optimizing the mounting and wiring of mixed controller types.

Dimensions




All Dimensions in Inches (mm)

Ordering Information

Complete the Model Number using the Matrix provided.

In Stock:

| Model | PCN |
|------------|--------|
| 4001-18370 | 307580 |

 More Information is Available Online on SCR Power Control.

Bookmark Your Browser to www.chromalox.com and Select **Manuals**.

| Model | Solid State Power Controller | | | | |
|--------|---|---|-----------------------------------|---|----------------------|
| 4001 | Single Phase, Zero-Crossover Fired Solid State Relay, DIN-Rail or Sub-Panel Mount | | | | |
| | Code | Max. Rated Current @ 50°C (Amps) | | | |
| | 12 | 12 Amps | | | |
| | 18 | 18 Amps | | | |
| | Code | Voltage | PIV (Peak Inverse Voltage) | | |
| | 3 | Up to 240 Vac | 800 | | |
| | | Code | Input | | |
| | | 7 | 4.5 - 35 Vdc (15mA continuous) | | |
| | | Code | | | |
| | | 0 | Add to complete model number | | |
| 4001 - | 12 | 3 | 7 | 0 | Typical Model Number |