

GTF & GTFL Fluoropolymer Covered Heaters

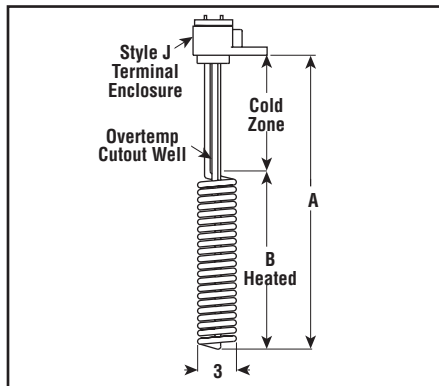
- GTF — Side Mount
- GTFL — L-Shaped
- Fluoropolymer Covered Stainless Steel Elements
- 10 W/in²
- 1- 6 kW
- 120, 240 and 480 Volt, Single Phase
- Moisture Resistant Terminal Enclosure

Features

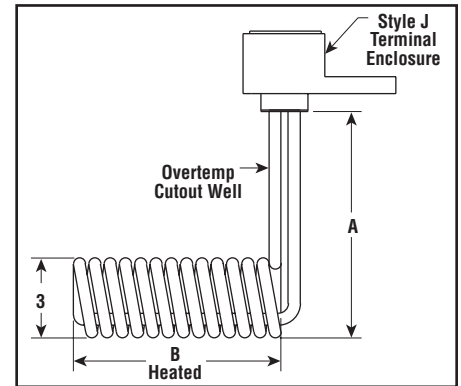
- Moisture Resistant Terminal Enclosure
- Side Mounted Vertical Construction with Mounting Bracket (GTF only)
- Side Mounted Horizontal Heater L-Shaped (GTFL only)
- Single Use Overtemperature Protection Thermal Fuse Supplied as Standard, for Process Temperatures up to 180°F (82°C)/ Fuse Temperature 219°F (104°C) Limit. For Higher Process/Fuse Temperature Limits, Consult Factory. Field Replaceable
- Resettable Overtemperature Protection Thermal Fuses also Available
- Polypropylene Guard, order separately
- Optional Riser Heights available (GTFL only)



GTF — Dimensions (Inches)



GTFL — Dimensions (Inches)



Specifications and Ordering Information

kW	Volts	W/in ²	Phase	Dimensions (In.)		Fluoropolymer			Wt. (Lbs.)	Guard ¹ PCN
				A	B	Model	Stock	PCN		
GTF — Side Mount										
1	120	10	1	11	7	GTF-11	S	053217	7	053330
1	240	10	1	11	7	GTF-12	NS	053225	7	053330
2	240	10	1	17	12	GTF-22	S	053233	8	053348
2	480	10	1	17	12	GTF-24	S	053241	8	053348
3	240	10	1	23	16	GTF-32	S	053250	13	053356
3	480	10	1	23	16	GTF-34	NS	053268	13	053356
4	240	10	1	29	20	GTF-42	S	053276	15	053364
4	480	10	1	29	20	GTF-44	S	053284	15	053364
5	240	10	1	35	25	GTF-52	NS	053292	18	053372
5	480	10	1	35	25	GTF-54	NS	053305	18	053372
6	240	10	1	40	29	GTF-62	NS	053313	21	053380
6	480	10	1	40	29	GTF-64	S	053321	21	053380
GTFL — L-Shaped										
1	120	10	1	12	8	GTFL-11	NS	053698	8	053815
1	240	10	1	12	8	GTFL-12	NS	053700	8	053815
2	240	10	1	18	12	GTFL-22	NS	053719	9	053823
2	480	10	1	18	12	GTFL-24	NS	053727	9	053823
3	240	10	1	18	17	GTFL-32	NS	053735	13	053831
3	480	10	1	18	17	GTFL-34	NS	053743	13	053831
4	240	10	1	18	20	GTFL-42	NS	053751	16	053840
4	480	10	1	18	20	GTFL-44	NS	053760	16	053840
5	240	10	1	18	24	GTFL-52	NS	053778	18	053858
5	480	10	1	18	24	GTFL-54	NS	053786	18	053858
6	240	10	1	18	29	GTFL-62	NS	053794	21	053866
6	480	10	1	18	29	GTFL-64	NS	053807	21	053866

Stock Status: S = stock NS = non-stock

To Order—Specify model, PCN, kW, volts, phase and quantity.

1. Guard (not shown). Order separately by PCN. Guard adds approximately 1/2" to overall heater dimensions.

GXF & GXFL Fluoropolymer Covered Heaters

- **GXF — Side Mount**
- **GXFL — L-Shaped**
- **Fluoropolymer Covered Stainless Steel Elements**
- **10 W/In²**
- **1- 6 kW**
- **120, 240 and 480 Volt, Single Phase**
- **Moisture/Corrosion Resistant Terminal Enclosure**

Features

- Grounded Internal Element
- Side Mounted Vertical Construction with Mounting Bracket (GXF only)
- Side Mounted Horizontal Heater L-Shaped Construction (GXFL only)
- Single Use Overtemperature Protection Thermal Fuse Supplied as Standard, for Process Temperatures up to 180°F (82°C)/ Fuse Temperature 219°F (104°C) Limit. For Higher Process/Fuse Temperature Limits, Consult Factory. Field Replaceable
- Resettable Overtemperature Protection Thermal Fuses also Available
- Polypropylene Guard, Order Separately
 - Additional Guard Material Available
- Additional Riser Heights Available for both GFX and GXFL
- For all Additional Items, Consult Factory

GXF

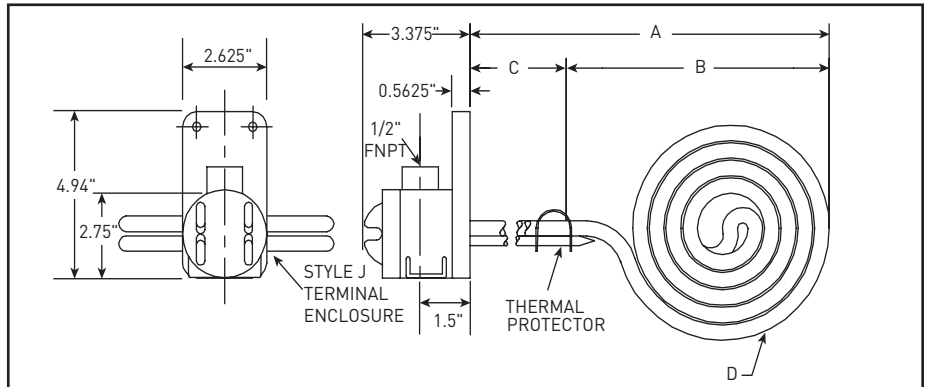


GXFL

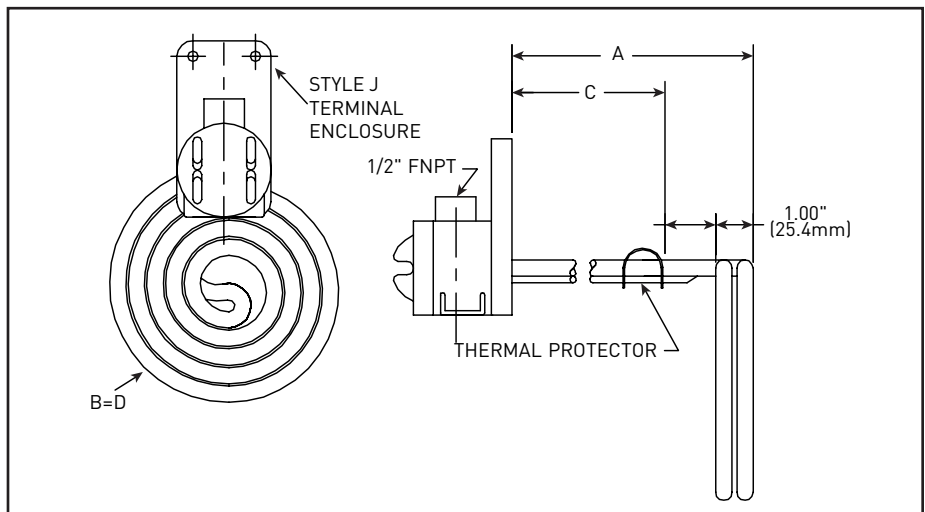


OVER-THE-SIDE

GXF — Dimensions (Inches)



GXFL — Dimensions (Inches)



Note – Housing dimensions are identical for GXF and GXFL

GXF & GXFL

Fluoropolymer Covered Heaters

(cont'd.)

Specifications and Ordering Information

kW	Volts	W/In ²	Phase	Dimensions ¹ (In.)				Fluoropolymer			Wt. (Lbs.)	Guard ² PCN
				A	B	C	D	Model	Stock	PCN		
GXF – Side Mount												
1	120	10	1	14	7	7	6	GXF-11	NS	354010	8	354255
1	240	10	1	14	7	7	6	GXF-12	NS	354028	8	354255
2	240	10	1	17	9	8	8	GXF-22	NS	354036	9	354263
2	480	10	1	17	9	8	8	GXF-24	NS	354044	9	354263
3	240	10	1	23	10	13	9	GXF-32	NS	354052	13	354271
3	480	10	1	23	10	13	9	GXF-34	NS	354060	13	354271
4	240	10	1	29	12	17	11	GXF-42	NS	354079	16	354280
4	480	10	1	29	12	17	11	GXF-44	NS	354087	16	354280
5	240	10	1	35	13	22	12	GXF-52	NS	354095	18	354298
5	480	10	1	35	13	22	12	GXF-54	NS	354108	18	354298
6	240	10	1	40	14	26	13	GXF-62	NS	354116	21	354300
6	480	10	1	40	14	26	13	GXF-64	NS	354124	21	354300
GXFL – L-Shaped												
1	120	10	1	12	6	6	6	GXFL-11	NS	354132	6	354319
1	240	10	1	12	6	6	6	GXFL-12	NS	354140	6	354319
2	240	10	1	18	8	10	8	GXFL-22	NS	354159	8	354327
2	480	10	1	18	8	10	8	GXFL-24	NS	354167	8	354327
3	240	10	1	18	9	9	9	GXFL-32	NS	354175	12	354335
3	480	10	1	18	9	9	9	GXFL-34	NS	354183	12	354335
4	240	10	1	18	11	7	11	GXFL-42	NS	354191	15	354343
4	480	10	1	18	11	7	11	GXFL-44	NS	354204	15	354343
5	240	10	1	18	12	6	12	GXFL-52	NS	354212	19	354351
5	480	10	1	18	12	6	12	GXFL-54	NS	354220	19	354351
6	240	10	1	18	13	5	13	GXFL-62	NS	354239	23	354360
6	480	10	1	18	13	5	13	GXFL-64	NS	354247	23	354360

Stock Status: S = stock NS = non-stock
To Order—Specify model, PCN, kW, volts, phase and quantity.

1. A=Riser height, B=Head Zone, C=Cold Zone D=Coil Diameter
 2. Guard (not shown). Order separately by PCN. Riser Height shown includes Guard.
 For height without Guard, subtract 1/4" from A

Heater Model (For Heater Only)

GXF GXFL	Side Mount Side Mount - L Shaped	Wattage	(kW)	Watts
		1		1000
		2		2000
		3		3000
		4		4000
		5		5000
		6		6000
			Volts	
			1	120
			2	240
			4	480
GXF(L)		1	1	Typical Model Number

Guard Model (For Guard Only)

GXF GXFL	Side Mount Side Mount - L Shaped	Wattage Series	(kW)	Watts
		1		1000
		2		2000
		3		3000
		4		4000
		5		5000
		6		6000
GXF(L)- 1 1				Typical Model Number

Ordering Information

Complete the model number using the matrix provided.

Note:

1. Heater and Guard have separate PCN numbers. For Heater only or Guard only use related PCN. For Heater supplied with Guard request both PCN's.