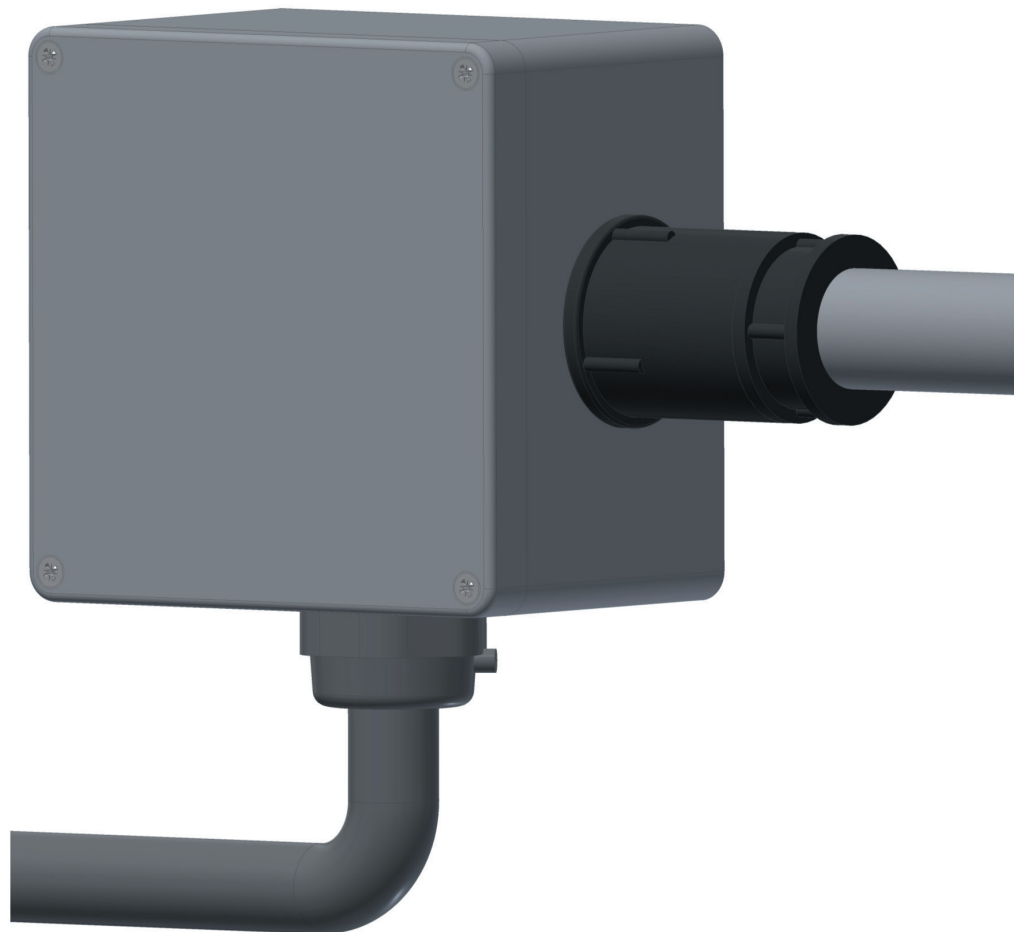


Installation Instructions

JB-C-100

**Heating Cable Conduit Connection to a Junction Box
for Pipe Heating, Roof and Gutter De-Icing
and Frost Heave Prevention Applications**



PJ959-1
161-511930-011
April, 2021

JB-C-100 Heating Cable Fitting Kit

Item	Qty	Description
1	1	Single Entry Black Grommet
2	1	Single Entry CWM Grommet
3	1	Compression Fitting
4	1	Fitting
5	1	O-ring
6	1	Locknut



General

The Chromalox JB-C-100 is a NEMA 4X-rated fitting kit used to transition heating cables into a junction box when making connections off of a pipe, tank or roof. It may be used for power, splice, or tee connections. The kit does not include the junction box, flexible tubing/conduit, or FT-3 Fiberglass tape, which are required to make a complete connection.

Installation

The minimum installation temperature for this kit is 0°F (-18°C).

Certifications & Approvals

Ordinary Locations



Tools Required for Kit Installation



⚠ WARNING

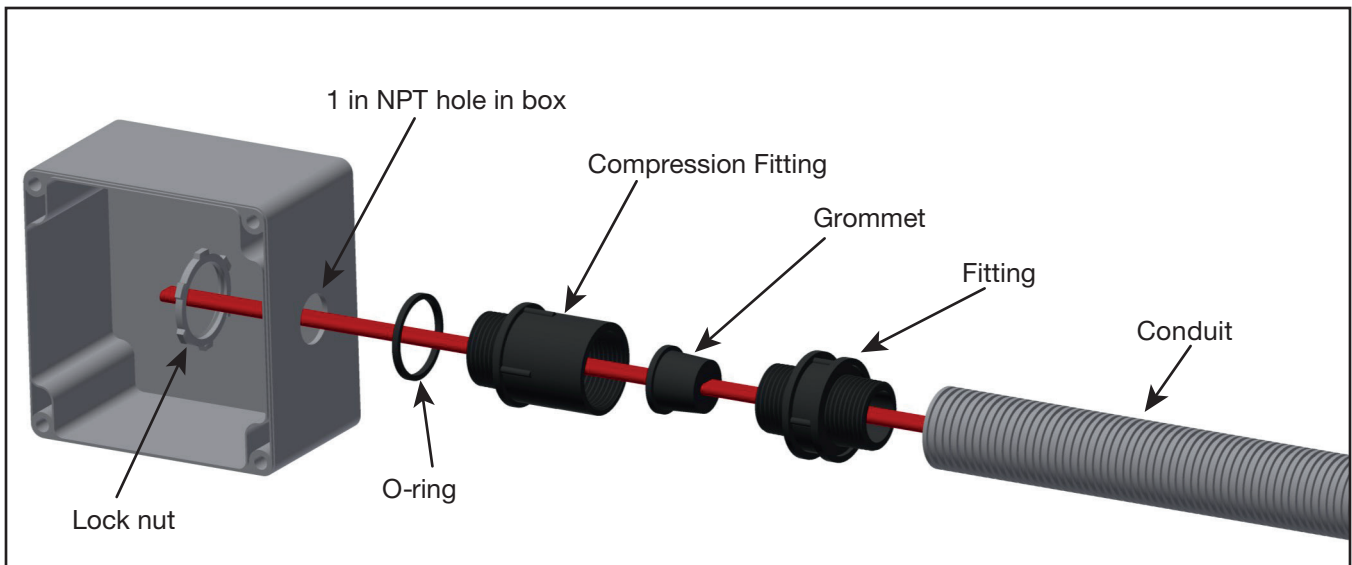
HAZARD OF ELECTRIC SHOCK. Disconnect all power before opening. All installations must be effectively grounded in accordance with the National Electrical Code to eliminate shock hazard. To avoid electrostatic discharge wipe with a dam cloth.

⚠ WARNING

Turn off power before removing junction box cover at all times.

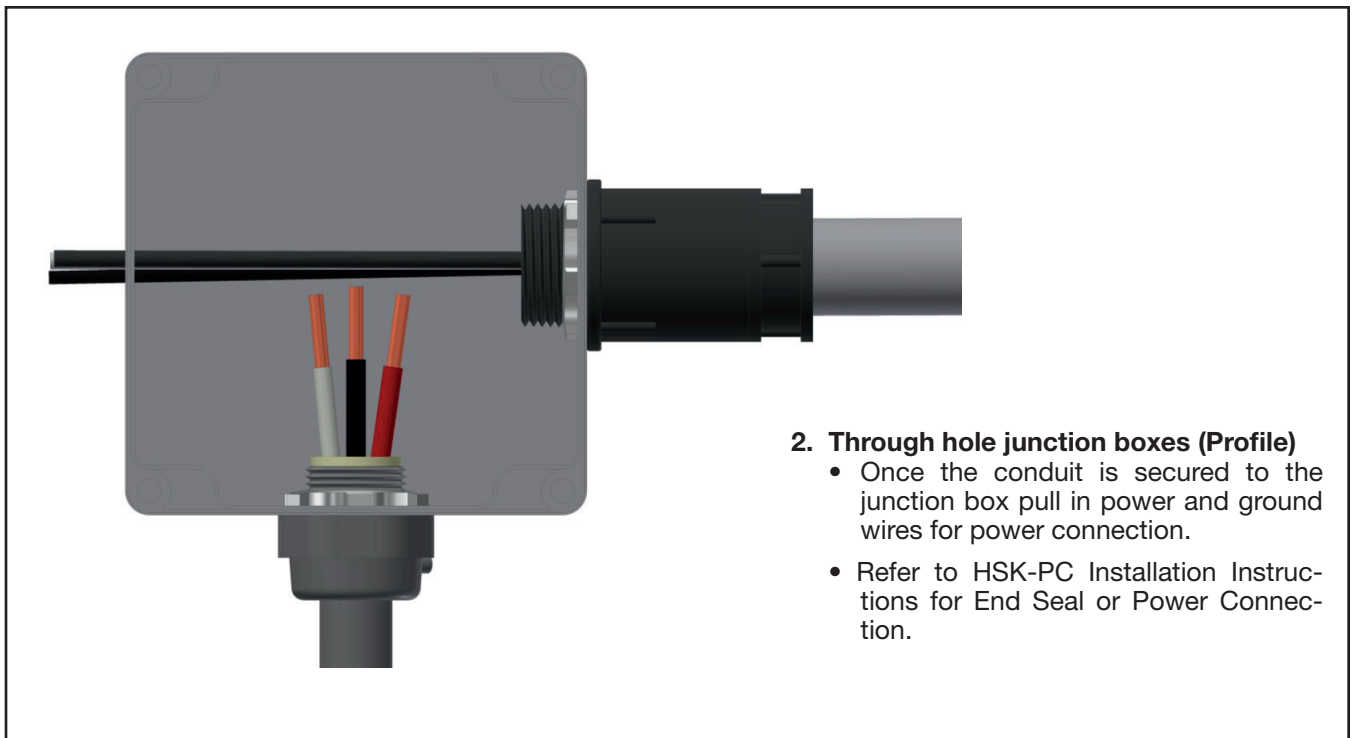
⚠ WARNING

Users should install adequate controls and safety devices with their electric heating equipment. Where the consequences of failure may be severe, back-up controls are essential. Although the safety of the installation is responsibility of the user, Chromalox will be glad to assist in making equipment recommendations.



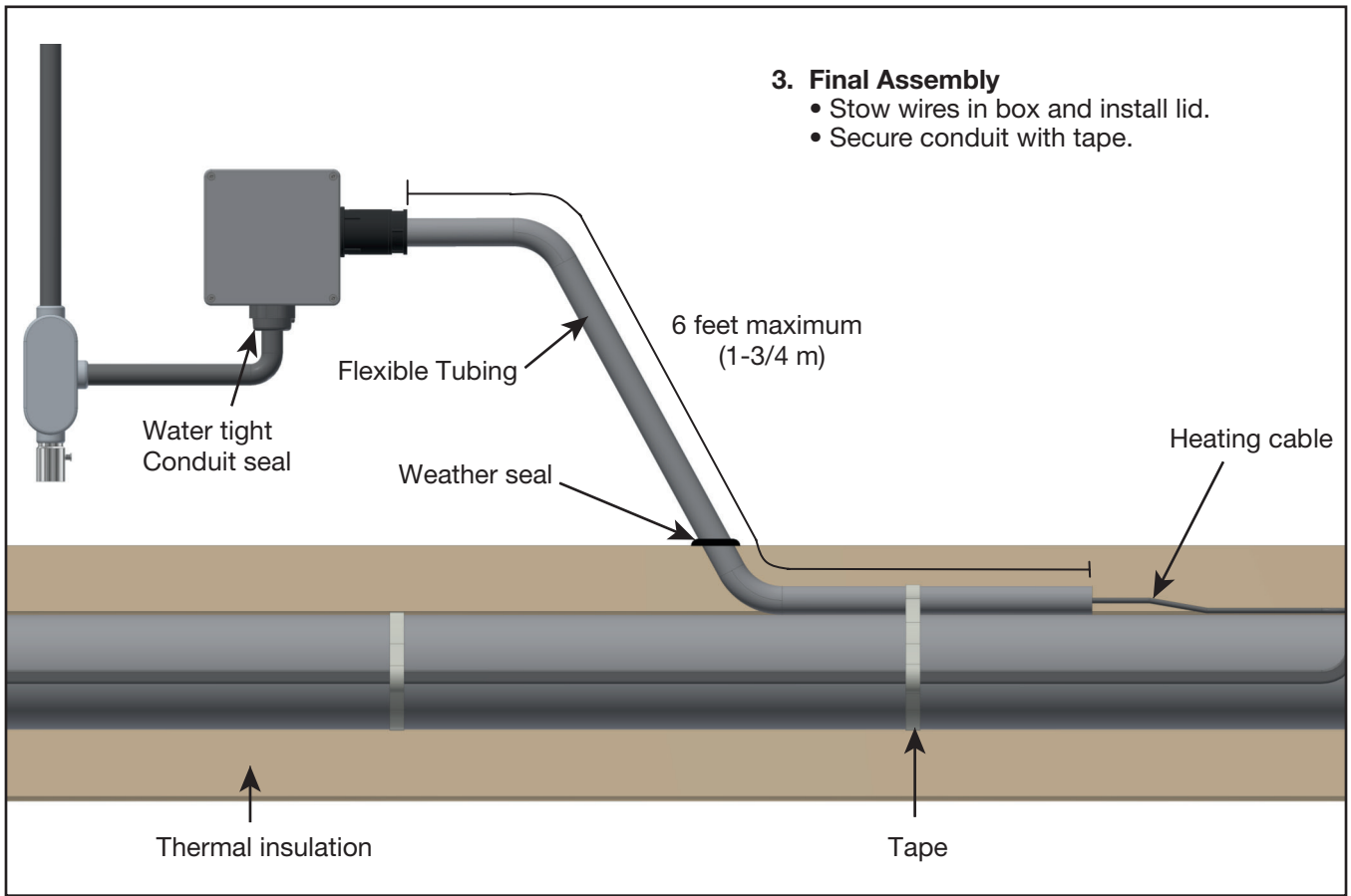
1. Through hole junction boxes

- Mount the junction box.
- Connect two sided fitting to conduit.
- Slide the grommet, compression fitting and O-ring over the heating cable.
- Secure the compression fitting to the two sided fitting
- Install Compression Fitting with O-ring into box wall; secure with locknut..



2. Through hole junction boxes (Profile)

- Once the conduit is secured to the junction box pull in power and ground wires for power connection.
- Refer to HSK-PC Installation Instructions for End Seal or Power Connection.



Limited Warranty:

Please refer to the Chromalox limited warranty applicable to this product at <http://www.chromalox.com/customer-service/policies/termsofsale.aspx>.

Chromalox
103 Gamma Drive
Pittsburgh, PA 15238
(412) 967-3800
www.chromalox.com