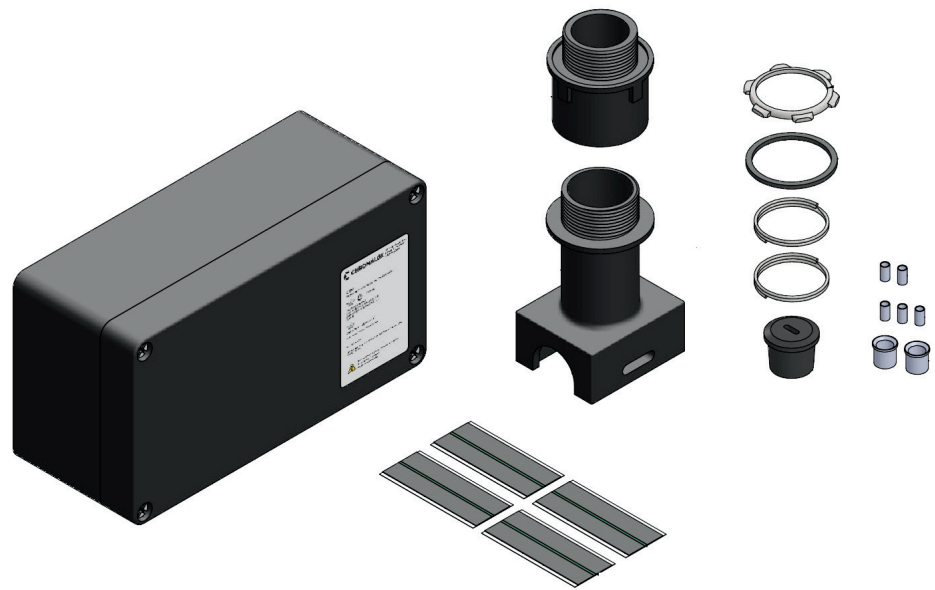


Installation Instructions

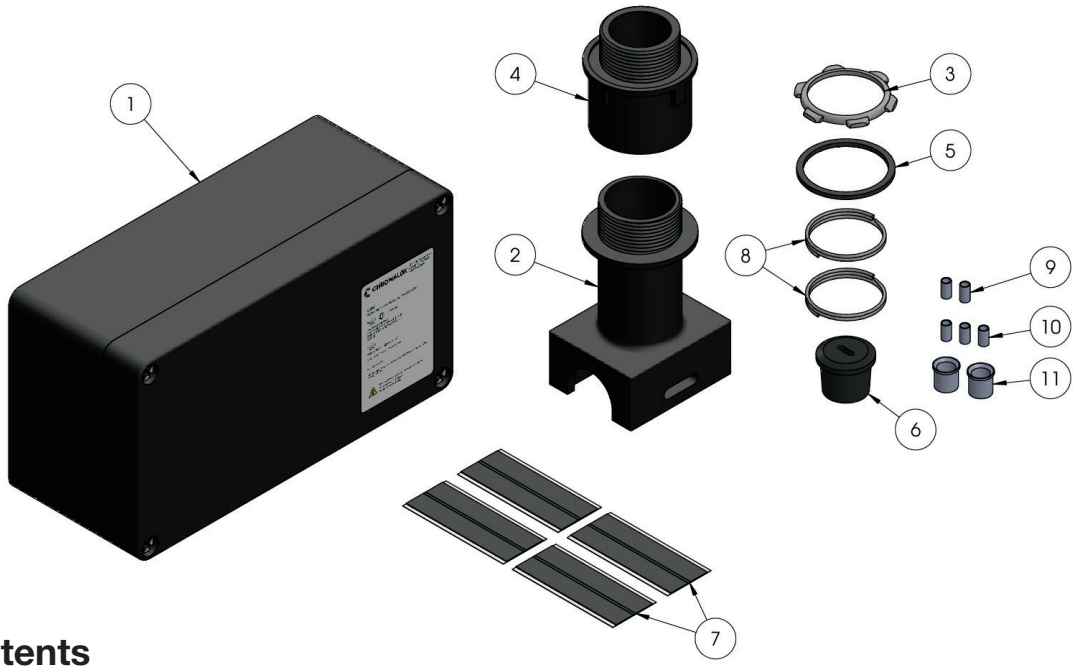
UES-LL End Termination Kit

for Series Long Line Heating Cables



PJ950
161-562681-022
July 2015

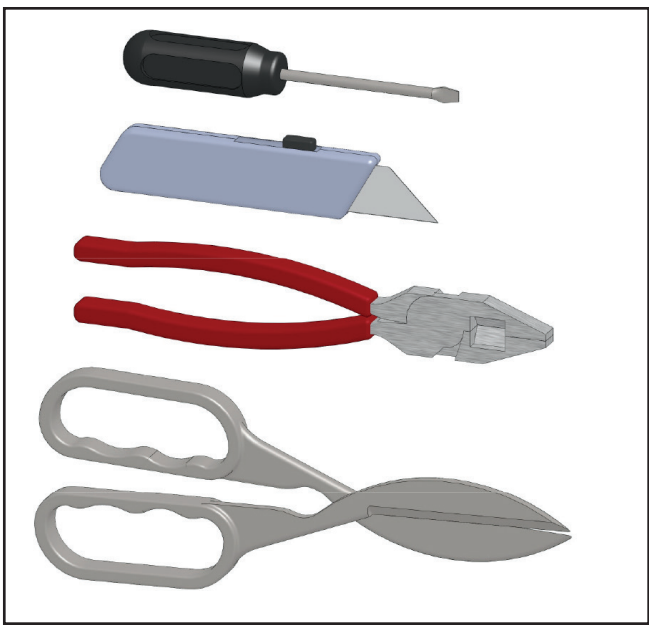
UES-LL End Termination Kit



Kit Contents

Item	Qty	Description	Item	Qty	Description
1	1	Junction box	7	4	Tape Strips
2	1	Pipe standoff	8	2	Solder
3	1	Locknut	9	2	SLL 45 Crimps (B14-PS-M)
4	1	Compression Fitting	10	3	SLL 28/18 Crimps (C10-PS-D)
5	1	O-ring	11	2	SLL 10 Crimps (54615)
6	1	Self-regulating cable grommet			

Tools Required for Kit Installation

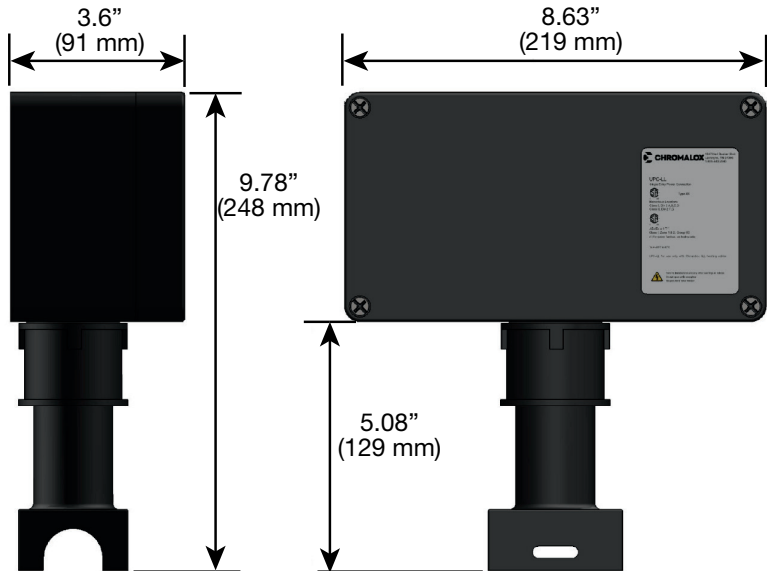


Order Separately

Pipe Straps
 PS - 1 (382352) - 1/2" to 3/4" pipes
 PS - 3 (382360) - 1" to 3-1/2" pipes
 PS - 10 (382379) - 2-1/2" to 9" pipes

Caution Label CL-1 (382424)
Fiberglass Tape FT-3 (389941)

Actual Kit Dimensions



UES-LL Cable Installation Instructions

⚠ WARNING

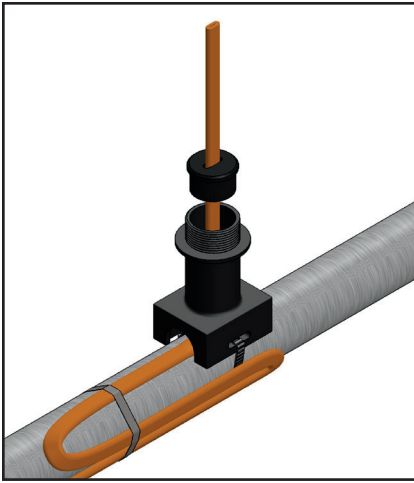
HAZARD OF ELECTRIC SHOCK. Disconnect all power before starting. All installations must be effectively grounded in accordance with the National Electrical Code to eliminate shock hazard.

⚠ WARNING

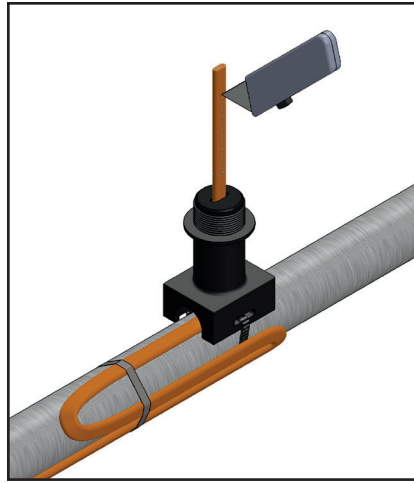
Turn off power before removing junction box cover at all times.

⚠ WARNING

Users should install adequate controls and safety devices with their electric heating equipment. Where the consequences of failure may be severe, back-up controls are essential. Although the safety of the installation is responsibility of the user, Chromalox will be glad to assist in making equipment recommendations.

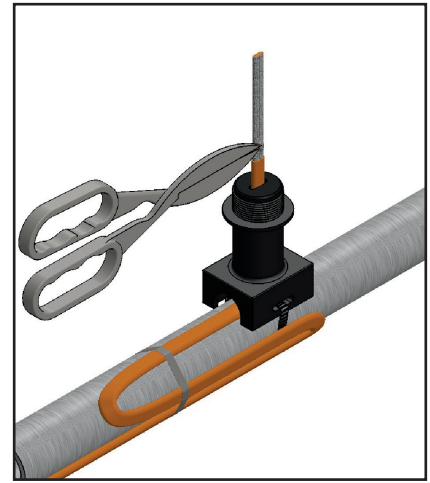


1. Insert heating cable through pipe standoff and grommet as shown. 7 inches of cable should extend past the grommet. Strap pipe standoff to pipe with pipe strap (Chromalox type PS not included) and attach extra cable to pipe as appropriate. For pipes smaller than 1-1/2" diameter a small pipe adapter (Chromalox model SPA not included) is required.

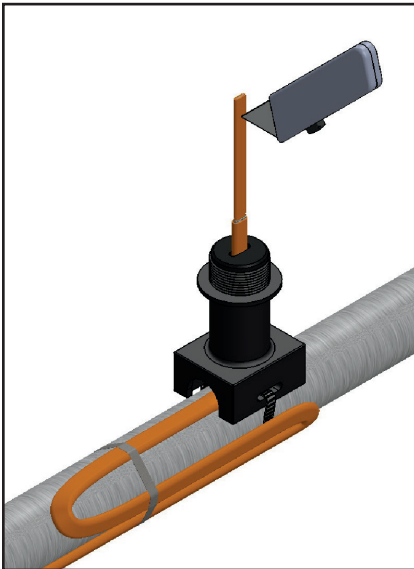


2. Score the outer insulation 6 inches from the end of the cable. Lightly cut the outer jacket up the center to the end of heating cable and remove the outer jacket from the cable.

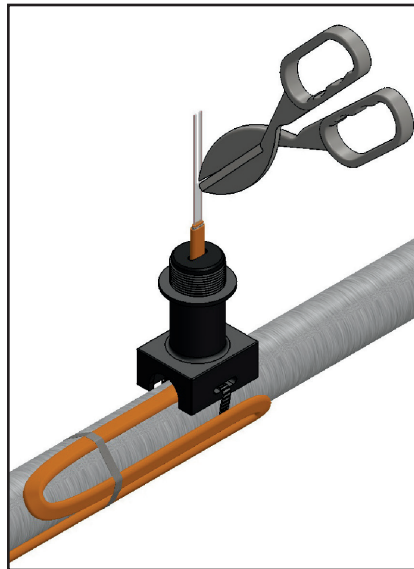
WARNING: DO NOT CUT METAL BRAID.



3. Trim the exposed grounding braid away from the end of the cable as shown. When trimming braid trim as close to the outer jacket as possible.

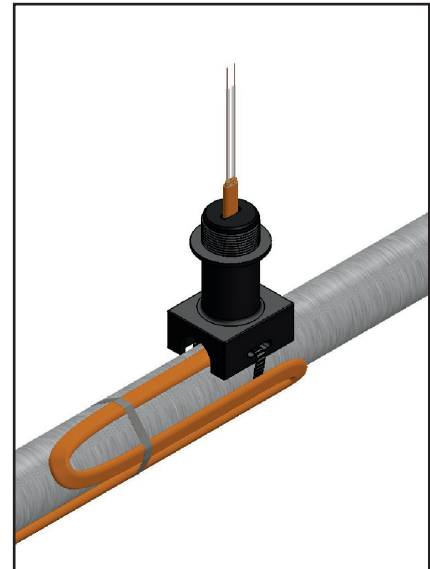


4. Score the inner insulation 5 inches from the end. Lightly cut the inner jacket up the center to end of heating cable and remove the inner jacket from the cable.



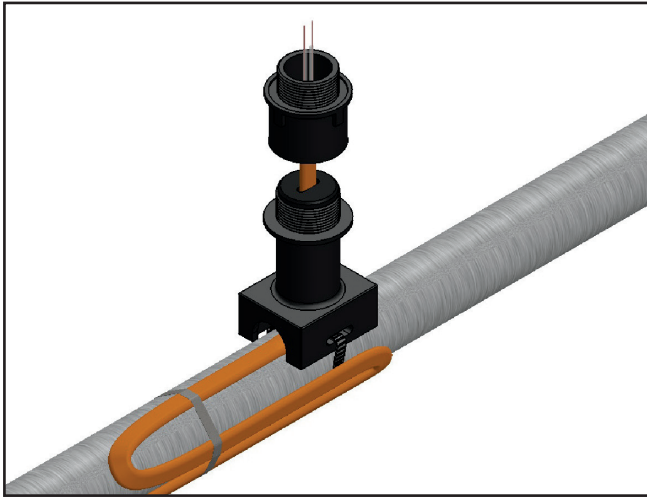
5. Use tin snips or similar tool to cut down the middle of the clear insulating material between the two buss wires.

WARNING: DO NOT EXPOSE BUSS WIRES.

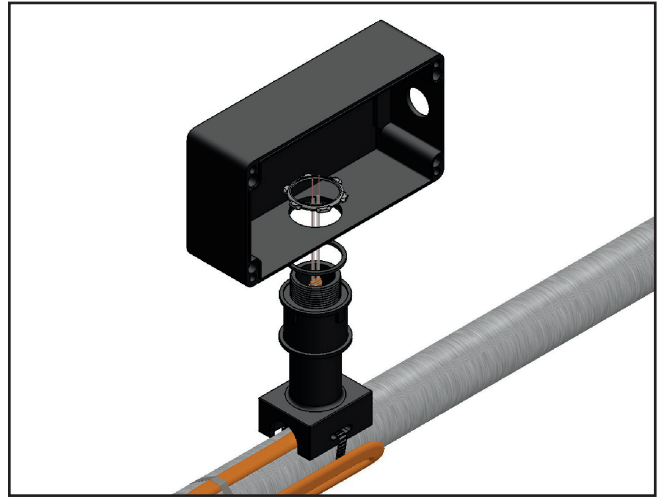


6. Remove 3/4" of insulation from each end of the conductor.

7. Slide compression fitting over cable. Grommet should be placed inside pipe standoff. Termination boot should be spaced 1/2" from sealing grommet.



8. Assemble junction box to compression fitting as shown. Tighten locknut until the junction box bottoms out against the lip of the compression fitting.



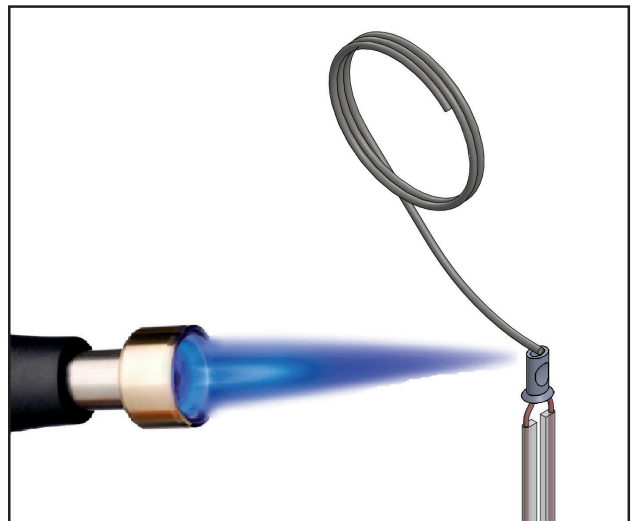
9. Crimp the cold leads to the buss wires as shown. Use the table below and only use recommended splice, crimp tool, and die to ensure proper electrical connections are made.

⚠ WARNING
IMPROPER CRIMP CONNECTIONS CAN RESULT IN OVERHEATING.



10. Trim any excess wire so all wires are even with the top of the splice. Heat each splice using a soldering tool, propane, or MAPP gas torch. Heat the center of the splice until it is hot enough to melt the solder placed at both ends. Allow splices to cool for several minutes before proceeding to the next step of wrapping the connection with tape.

⚠ WARNING
USE ONLY THE SOLDER PROVIDED WITH THE KIT.



Cable Model	Wire AWG	Splice Model No.	Splice Color	Crimp Tool Recommended	Crimp Tool Die Color/Letter
SLL 45-CT	16	B14-PS-M	Silver (small)	ERG4002	B
SLL 28-CT	14	C10-PS-D	Silver (large)	ERG4002	C
SLL 18-CT	12	C10-PS-D	Silver (large)	ERG4002	C
SLL 10-CT	10	54615	Grey	TBM5S	Grey

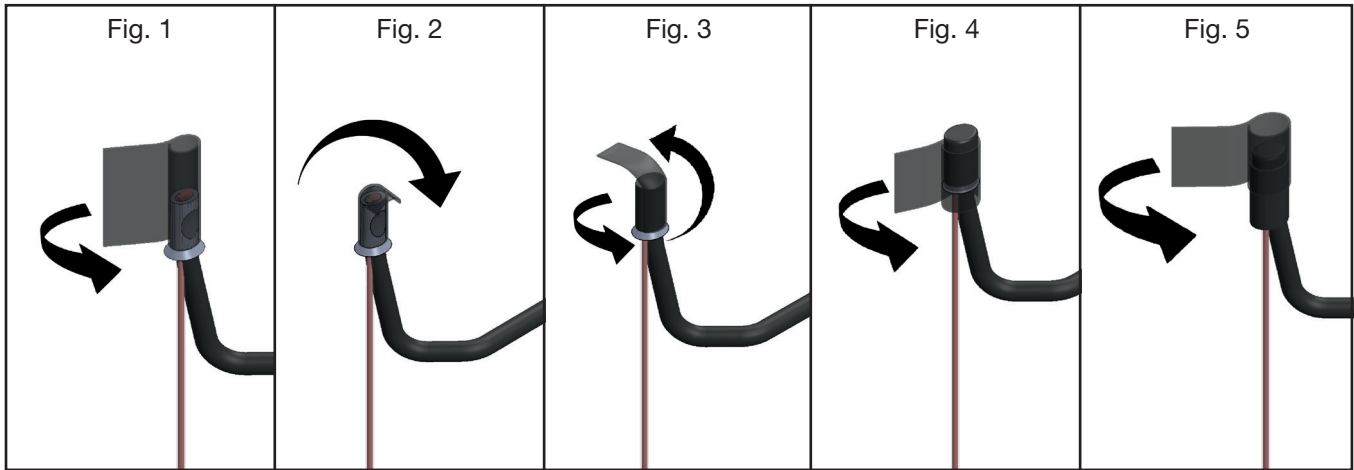
11. Fig. 1 - Wrap 1 strip of provided tape around the end of the splice as shown and push open end of tape together. Fold the top part of tape over as shown in Fig. 2.

Fig. 3 - Wrap the 2nd tape over the top of the fold piece of strip 1, then wrap it around the splice as shown.

Fig. 4 - Wrap the 3rd tape strip around the bottom portion of the splice so that it covers any exposed conductors and splice.

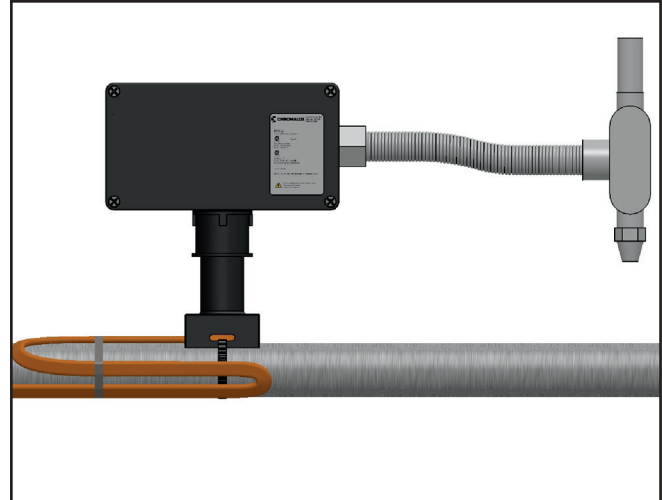
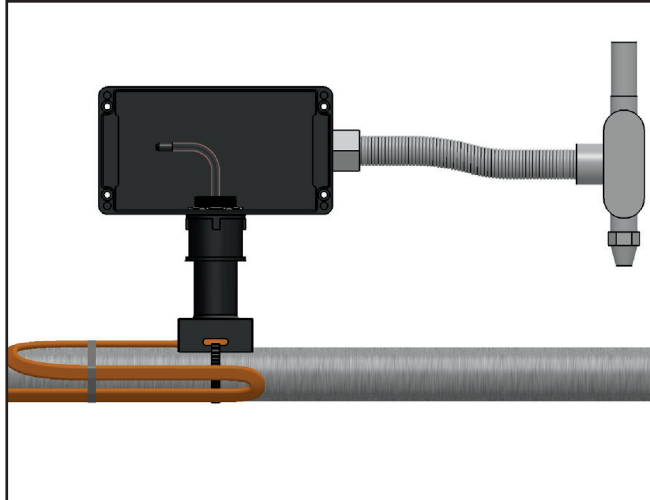
Fig. 5 - Wrap the 4th tape strip on the top part of the splice so that it covers at least 50% of the 3rd tape strip. Repeat Steps 1-4 for each connection.

WARNING: ONLY USE TAPE SUPPLIED WITH THIS KIT



12. Place connections in box as shown with a minimum space between conductors of 5/16" (16 mm).

13. Place the lid onto the box and secure the lid by tightly fastening four screws.



Limited Warranty:

Please refer to the Chromalox limited warranty applicable to this product at <http://www.chromalox.com/customer-service/policies/termsofsale.aspx>.

Chromalox, Inc.
1347 Heil Quaker Boulevard
Lavergne, TN 37086
(615) 793-3900
www.chromalox.com