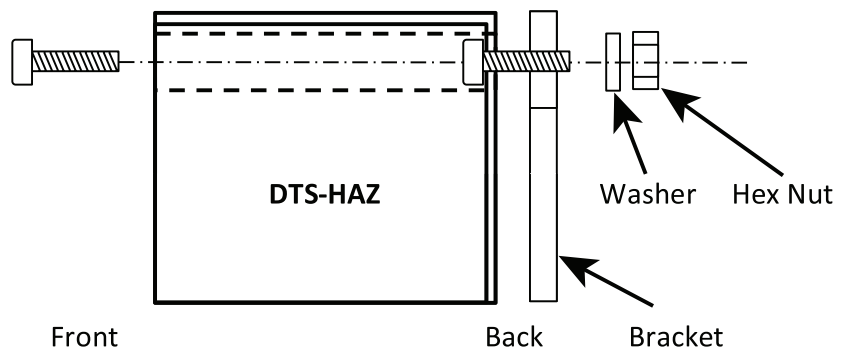


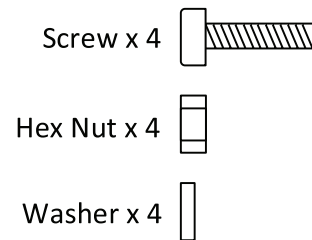
Installation Instructions

MP-2

Wall Mount Kit for DTS-HAZ

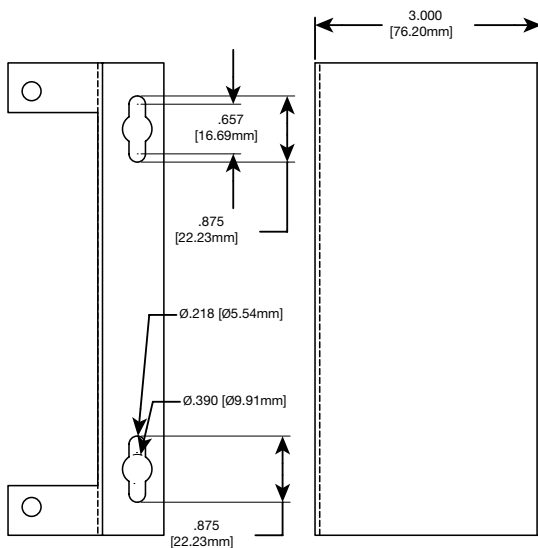


Stainless Steel Hardware:

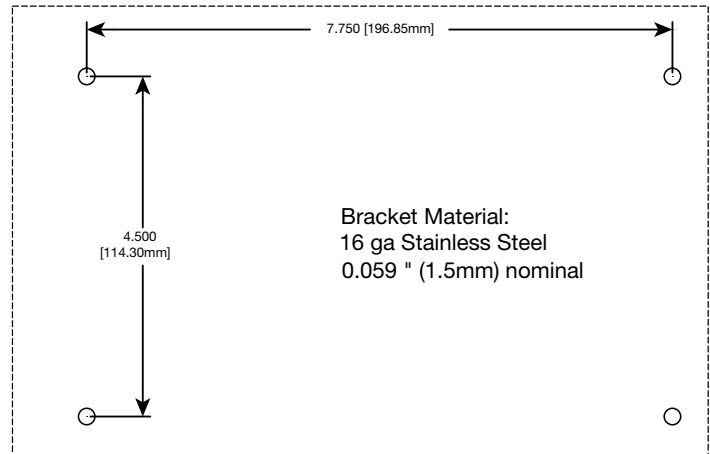


Chromalox[®]
PRECISION HEAT AND CONTROL

PJ947
0037-75529
March 2013



RECOMMENDED - WALL MOUNT LAYOUT
MAXIMUM #10 STUD



Installation Instructions

General

The Wall Mount Kit provides an alternative mounting option for the DTS-HAZ.

⚠ CAUTION

To maintain UL/cUL and Class 1, Division 2 compliance, the conditions must be met:

1. **When not using the Pipe Standoff Mount, the optional Wall Mounting Bracket Kit: MP-2 DTS-HAZ Mounting Plate Kit must be used.**
2. **The DTS-HAZ must be mounted on vertical surface.**
3. **The Heat Sink Fins on the rear of the DTS must be oriented vertically and they must be kept free of debris at all times.**
4. **We suggest that the installation be done by qualified personnel or professionals.**

Installation

1. The kit comes complete with two stainless steel mounting brackets and the necessary hardware to mount the brackets to the DTS-HAZ.
2. Remove the front cover of the DTS-HAZ. Place one screw into the DTS through hole. Attach bracket and secure with washer and nut.

3. When installing the DTS on a vertical surface, the Pipe Standoff is not used and is typically replaced by rigid 1" NPT conduit. The conduit shall terminate into the bottom of the Compression Fitting. See manual PJ944 for the complete instructions.
4. Both the vertical wall material and the fasteners used to mount the DTS must be of suitable industrial grade quality.
5. Use the above Wall Mount Layout dimensions to locate the 4 hole locations on the vertical surface to which the DTS will be mounted.
6. Should the owner use other means to mount the DTS to a vertical surface, a minimum of 3 inches (76 mm) must be maintained between the rear of the DTS-HAZ and the mounting surface. This will allow adequate airflow across the heat sink of the DTS. The supports must not restrict any airflow from either the top or the bottom of the heat sink. Violation of this voids UL/cUL and suitability for Class I, Division 2 areas and potentially creates a harmful condition.

Limited Warranty:

Please refer to the Chromalox limited warranty applicable to this product at <http://www.chromalox.com/customer-service/policies/termsofsale.aspx>.

Chromalox[®]
PRECISION HEAT AND CONTROL

1347 HEIL QUAKER BLVD., LAVERGNE, TN 37086
Phone: (615) 793-3900 www.chromalox.com