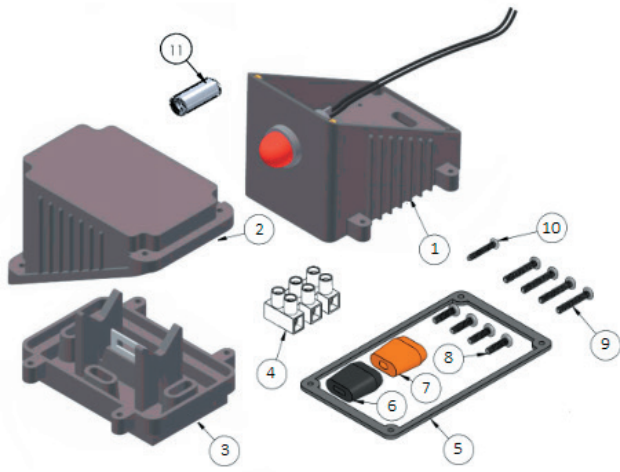


RTPC-SL and RTST-SL Signal Light Modifications

for DL Series Connection Kit Installation Instructions



RTPC-SL Power Connection Kit w/Signal Light

| Item | Qty | Description |
|------|-----|-------------------------------------|
| 1 | 1 | Junction Box* |
| 2 | 1 | Junction Box Lid |
| 3 | 1 | Junction Box Base |
| 4 | 1 | Three Position Terminal Block |
| 5 | 1 | Cover gasket |
| 6 | 1 | Black Self-Regulating Cable Grommet |
| 7 | 1 | Orange Constant Wattage Grommet |
| 8 | 4 | Cover screws, 5/8" long |
| 9 | 4 | Box screws, 1" long |
| 10 | 1 | Mounting Screw for Terminal Block |
| 11 | 1 | Butt Splice |

*LED Rating 120, 208-240 or 277 V

Certifications & Approvals

Type 4X -60°C<Ta<+55°C
 Ordinary & Hazardous Locations
 Class I, Division 2 Groups A*,B,C&D
 Class II, Division 2 Groups F & G
 *CSA only



Tools Required for Kit Installation



Order Separately

Pipe Straps

- Pipe Strap: 1/2" to 3/4" pipes SS
- Pipe Strap: 1" to 3-1/2" pipes SS
- Pipe Strap: 2-1/2" to 9" pipes SS
- Pipe Strap: 9" to 19.5" pipes SS



Caution Label Fiberglass Tape



General

This sheet will provide the instructions necessary for incorporation of a signal light into all versions of the RTPC and RTST kits. This sheet must be used in conjunction with the instructions contained in the above mentioned kits. Not all sections of this sheet will apply to the kit you are using. Each section has a bold-faced title which indicates for what kit and installation instruction sheet the section covers.

NOTE: The RTST-SL kit is used as an end seal kit. It is not designed as a splice or tee connection kit. Follow the instructions listed in PJ452 but note that only one cable will be brought into the box.

IMPORTANT: This kit comes with the LED installed in the pilot light assembly.

Please check your kit model number against the system voltage before installation.

SL1 120V
SL2 208-240V
SL3 277V

⚠ WARNING

HAZARD OF ELECTRIC SHOCK. Disconnect all power before starting. All installations must be effectively grounded in accordance with the National Electrical Code to eliminate shock hazard.

⚠ WARNING

Turn off power before removing junction box cover at all times.

⚠ WARNING

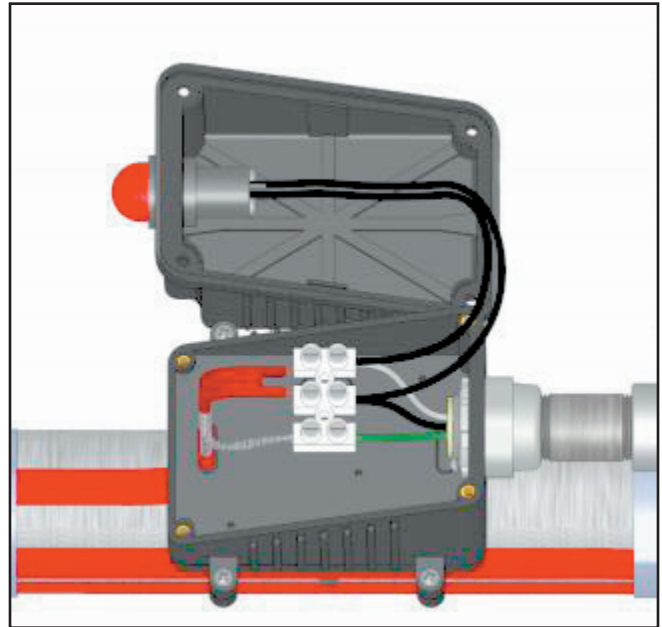
Users should install adequate controls and safety devices with their electric heating equipment. Where the consequences of failure may be severe, back-up controls are essential. Although the safety of the installation is responsibility of the user, Chromalox will be glad to assist in making equipment recommendations.

Installation

Follow the instructions for the RTPC Power Connection or RTST Splice & Tee Connection Kit. After step 10 (RTPC) or 8 (RTST), complete this additional step:

Make sure water tight rubber gasket (Item 5) is in place before completing this step. Remove the protective plastic bits on the tips of the signal light wires. Slide the bared wire end into the same openings on the terminal block as the power wires. Tighten screws firmly to hold the wires in place.

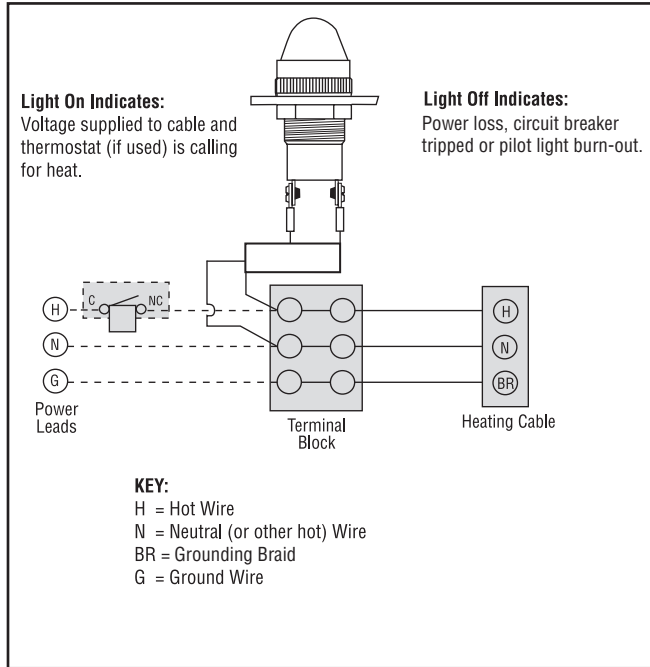
See wiring diagrams on next page.



Wiring Diagrams

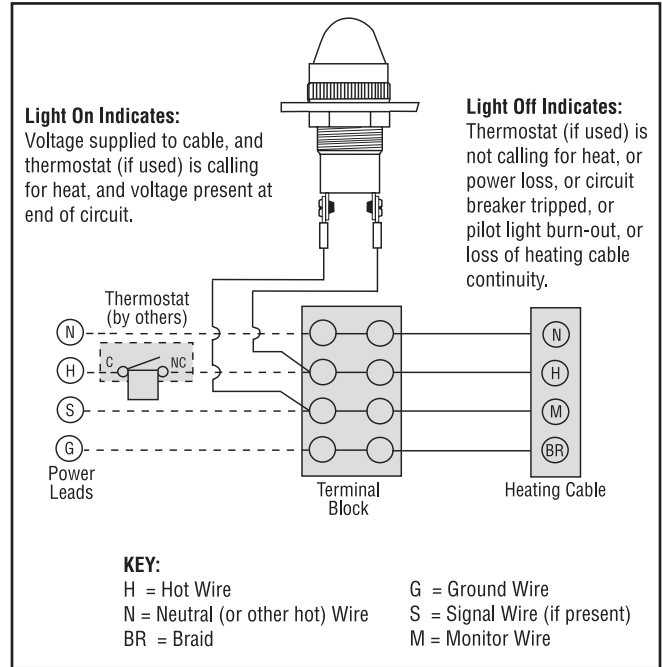
For RTPC-SL (For all cables except monitor wire version)

Prior to Step 11 of PJ451, wire signal light per figure below.



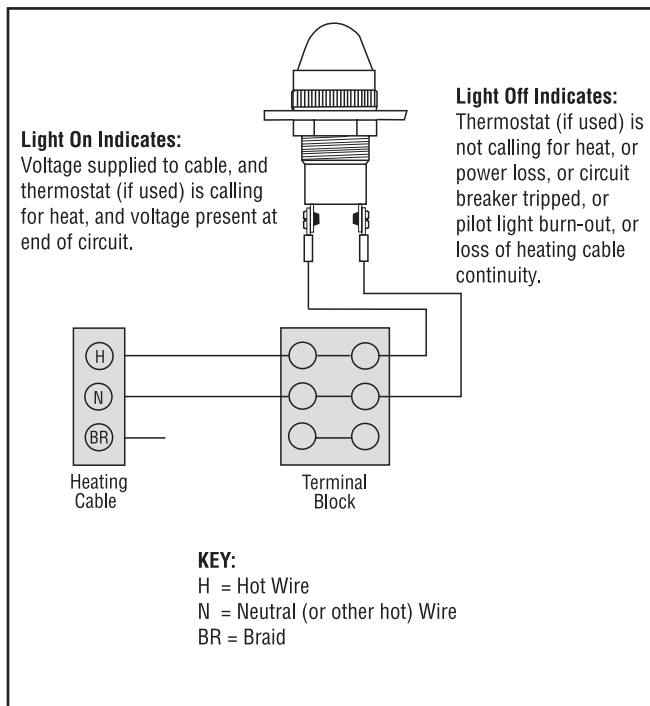
For RTPC-SL (For cables with monitor wire)*

Prior to Step 11 of PJ451, wire signal light per figure below.



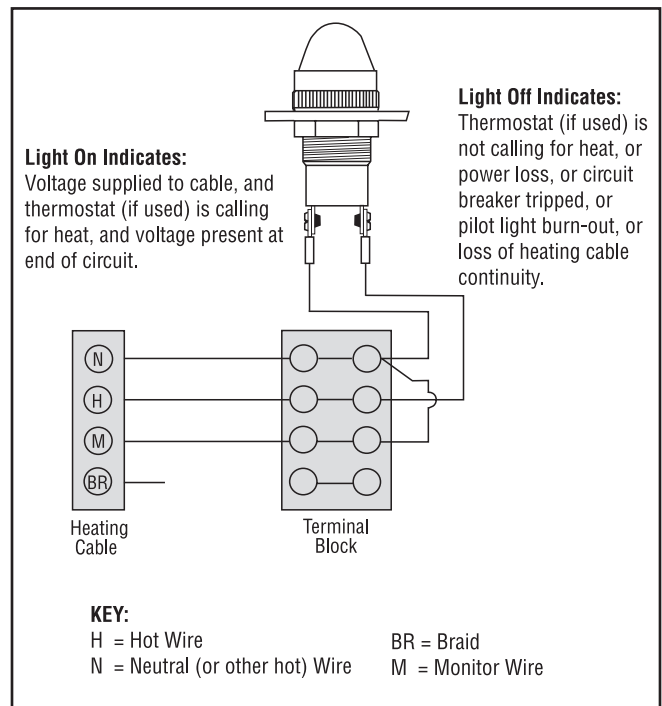
For RTST-SL (For all cables except monitor wire version)

Prior to Step 10 of PJ452, wire signal light per figure below.



For RTST-SL (For cables with monitor wire)*

Prior to Step 10 of PJ452, wire signal light per figure below.



*A four position terminal block must be purchased separately.

Limited Warranty:

Please refer to the Chromalox limited warranty applicable to this product at
<http://www.chromalox.com/customer-service/policies/termsofsale.aspx>.

Chromalox, Inc.
1347 Heil Quaker Boulevard
Lavergne, TN 37086
(615) 793-3900
www.chromalox.com