

# Chromalox®

## Installation Instructions

### SERVICE REFERENCE

DIVISION 4	SECTION LUH/KUH
SALES REFERENCE (Supersedes PF491-1)	PF491-2
161-304370-001	
DATE	DECEMBER, 2002

## Field Conversion Kits Single Phase or Three Phase Power Connections

### GENERAL

#### ⚠ WARNING

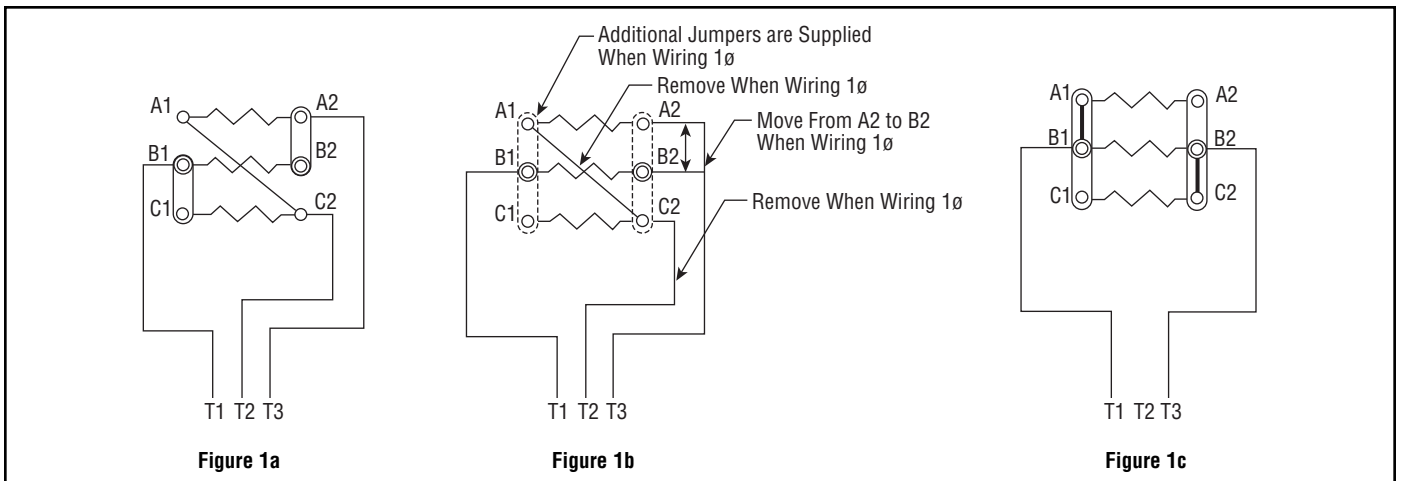
**Hazard of Electric Shock. This kit must be installed by a qualified electrician. Before performing any of the following operations, disconnect all power to the heater to prevent possible fatal injury.**

### INSTALLATION

Single or three phase power connections may be used with heaters rated LUH/KUH 04-83; 04-23; 05-83; 05-23; 07-81; 07-21; 10-81 and 10-21.

The selected 4 kW and 5 kW units are factory wired for three phase operation and can be changed to single phase using wiring kit p/n 168-304372-002 included with the heater. This kit contains 2 buss bars which are required to make the conversion.

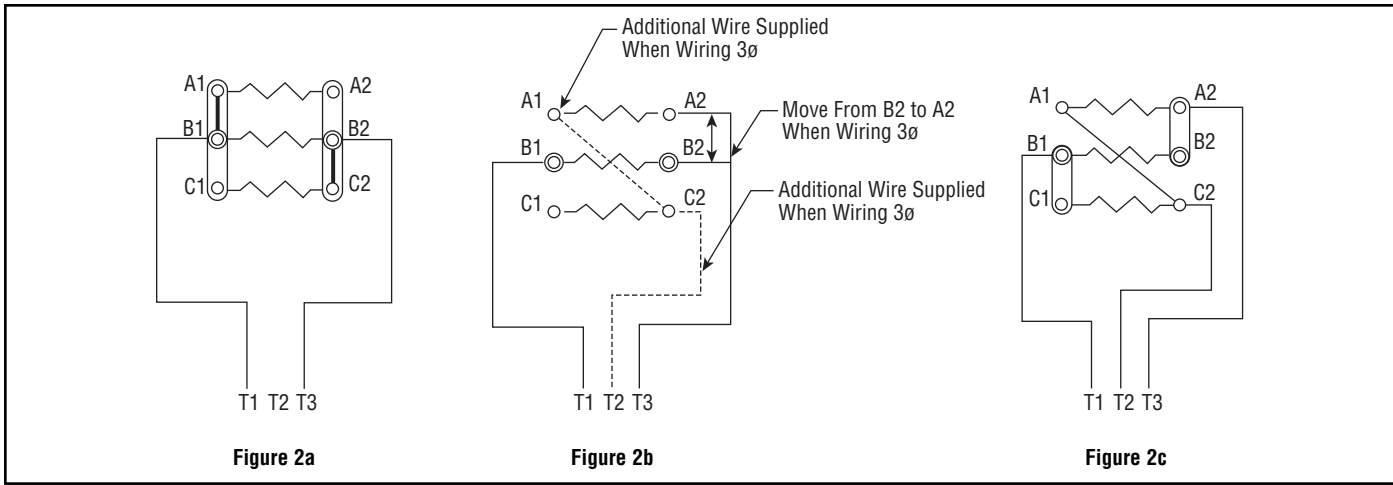
Figure 1a shows the factory three phase wiring. Figure 1b shows the location for the addition of the two buss bars. The jumper wire from terminal A1 to C2 should be removed. The factory installed wire from T2 to C2 should be removed. The factory supplied wire connecting T3 should be removed from the terminal A2 and re-connected to B2. Figure 1c shows the wiring of the unit after conversion to single phase.



The selected 7.5kW and 10kW units are factory wired for single phase operation and can be changed to three phase wiring using wiring kit p/n 168-304372-001 included with the heater. This kit contains a jumper wire and power wire as shown in figure 2b. Factory installed buss bars from A1 to B1 and B2 to C2 should be removed and the jumper wire installed between A1 to C2 as shown in Figure 2b. The power wire should be connected from contactor terminal T2 as shown and the T3 wire should be moved to terminal A2. Figure 2c shows the wiring of the heater after conversion to three phase.

A self adhesive electrical ratings data label, Figure 3 is also included with both kits. The appropriate box should be marked to show the installer that the unit has been rewired, this provides the correct circuit and fuse amps data for the modified heater. The label should be affixed to the outside of control compartment door located on the bottom of the heater.

## INSTALLATION



Electrical Ratings Data For Phase Conversion					
Nameplate Ratings			Conversion To 1 Phase		Mark the Box Below After Conversion
kW	Volts	PH	Min. Cir. Amps	Max. Fuse Amps	
3.0/4.0	208/240	3	18.7/21.5	20/25	<input type="checkbox"/>
4.0	208	3	24.7	25	<input type="checkbox"/>
3.7/5.0	208/240	3	22.9/26.7	25/30	<input type="checkbox"/>
5.0	208	3	30.7	35	<input type="checkbox"/>
Nameplate Ratings			Conversion To 1 Phase		Mark the Box Below After Conversion
kW	Volts	PH	Min. Cir. Amps	Max. Fuse Amps	
5.6/7.5	208/240	1	20.0/23.1	20/25	<input type="checkbox"/>
7.5	208	1	26.6	30	<input type="checkbox"/>
7.5/10.0	208/240	1	26.6/30.6	30/35	<input type="checkbox"/>
9.7	208	1	34.2	35	<input type="checkbox"/>
See Nameplate For Voltage and kW of Heater					

Figure 3

**Limited Warranty:**

Please refer to the Chromalox limited warranty applicable to this product at <http://www.chromalox.com/customer-service/policies/termsofsale.aspx>.

**Chromalox®**  
**PRECISION HEAT AND CONTROL**

2150 N. RULON WHITE BLVD., OGDEN, UT 84404  
 Phone: 1-800-368-2493      www.chromalox.com